

REPLACEABLE MECHANICAL PARTS

PARTS ORDERING INFORMATION

Replacement parts are available from or through your local Tektronix, Inc. Field Office or representative.

Changes to Tektronix instruments are sometimes made to accommodate improved components as they become available, and to give you the benefit of the latest circuit improvements developed in our engineering department. It is therefore important, when ordering parts, to include the following information in your order: Part number, instrument type or number, serial number, and modification number if applicable.

If a part you have ordered has been replaced with a new or improved part, your local Tektronix, Inc. Field Office or representative will contact you concerning any change in part number.

Change information, if any, is located at the rear of this manual.

SPECIAL NOTES AND SYMBOLS

X000 Part first added at this serial number
00X Part removed after this serial number

FIGURE AND INDEX NUMBERS

Items in this section are referenced by figure and index numbers to the illustrations.

INDENTATION SYSTEM

This mechanical parts list is indented to indicate item relationships. Following is an example of the indentation system used in the description column.

```

1 2 3 4 5           Name & Description
Assembly and/or Component
Attaching parts for Assembly and/or Component
    * * * * *
Detail Part of Assembly and/or Component
Attaching parts for Detail Part
    * * * * *
Parts of Detail Part
Attaching parts for Parts of Detail Part
    * * * * *
  
```

Attaching Parts always appear in the same indentation as the item it mounts, while the detail parts are indented to the right. Indented items are part of, and included with, the next higher indentation. The separation symbol ---*--- indicates the end of attaching parts.

Attaching parts must be purchased separately, unless otherwise specified.

ITEM NAME

In the Parts List, an Item Name is separated from the description by a colon (:). Because of space limitations, an Item Name may sometimes appear as incomplete. For further Item Name identification, the U.S. Federal Cataloging Handbook H6-1 can be utilized where possible.

ABBREVIATIONS

"	INCH	ELCTRN	ELECTRON	IN	INCH	SE	SINGLE END
#	NUMBER SIZE	ELEC	ELECTRICAL	INCAND	INCANDESCENT	SECT	SECTION
ACTR	ACTUATOR	ELCTLT	ELECTROLYTIC	INSUL	INSULATOR	SEMIGOND	SEMICONDUCTOR
ADPTR	ADAPTER	ELEM	ELEMENT	INTL	INTERNAL	SHLD	SHIELD
ALIGN	ALIGNMENT	EPL	ELECTRICAL PARTS LIST	LPHLDR	LAMPHOLDER	SHLDR	SHOULDERED
AL	ALUMINUM	EQPT	EQUIPMENT	MACH	MACHINE	SKT	SOCKET
ASSEM	ASSEMBLED	EXT	EXTERNAL	MECH	MECHANICAL	SL	SLIDE
ASSY	ASSEMBLY	FIL	FILLISTER HEAD	MTG	MOUNTING	SLFLKG	SELF-LOCKING
ATTN	ATTENUATOR	FLEX	FLEXIBLE	NIP	NIPPLE	SLVG	SLEEVE
AWG	AMERICAN WIRE GAGE	FLH	FLAT HEAD	NON WIRE	NOT WIRE WOUND	SPR	SPRING
BD	BOARD	FLTR	FILTER	OBD	ORDER BY DESCRIPTION	SQ	SQUARE
BRKT	BRACKET	FR	FRAME or FRONT	OD	OUTSIDE DIAMETER	SST	STAINLESS STEEL
BRS	BRASS	FSTNR	FASTENER	OVH	OVAL HEAD	STL	STEEL
BRZ	BRONZE	FT	FOOT	PH BRZ	PHOSPHOR BRONZE	SW	SWITCH
BSHG	BUSHING	FXD	FIXED	PL	PLAIN or PLATE	T	TUBE
CAB	CABINET	GSKT	GASKET	PLSTC	PLASTIC	TERM	TERMINAL
CAP	CAPACITOR	HDL	HANDLE	PN	PART NUMBER	THD	THREAD
CER	CERAMIC	HEX	HEXAGON	PNH	PAN HEAD	THK	THICK
CHAS	CHASSIS	HEX HD	HEXAGONAL HEAD	PWR	POWER	TNSN	TENSION
CKT	CIRCUIT	HEX SOC	HEXAGONAL SOCKET	RCPT	RECEPTACLE	TRG	TAPPING
COMP	COMPOSITION	HLCPS	HELICAL COMPRESSION	RES	RESISTOR	TRH	TRUSS HEAD
CONN	CONNECTOR	HLEXT	HELICAL EXTENSION	RGD	RIGID	V	VOLTAGE
COV	COVER	HV	HIGH VOLTAGE	RLF	RELIEF	VAR	VARIABLE
CPLG	COUPLING	IC	INTEGRATED CIRCUIT	RTNR	RETAINER	W/	WITH
CRT	CATHODE RAY TUBE	ID	INSIDE DIAMETER	SCH	SOCKET HEAD	WSHR	WASHER
DEG	DEGREE	IDNT	IDENTIFICATION	SCOPE	OSCILLOSCOPE	XFMR	TRANSFORMER
DWR	DRAWER	IMPLR	IMPELLER	SCR	SCREW	XSTR	TRANSISTOR

CROSS-INDEX—MFR. CODE NUMBER TO MANUFACTURER

Mfr. Code	Manufacturer	Address	City, State, Zip
000BK	STAUFFER SUPPLY	105 SE TAYLOR	PORTLAND, OR 97214
000CY	NORTHWEST FASTENER SALES, INC.	7923 SW CIRRUS DRIVE	BEAVERTON, OREGON 97005
000DX	KADEE QUALITY PRODUCTS COMPANY	720 S GRAPE	MEDFORD, OR 97501
000EX	O'HARA METAL PRODUCT COMPANY	542 BRANNAN STREET	SAN FRANCISCO, CA 94107
0000A	LEMO USA	2015 SECOND ST.	BERKELEY, CA 94710
00779	AMP, INC.	P O BOX 3608	HARRISBURG, PA 17105
01295	TEXAS INSTRUMENTS, INC., SEMICONDUCTOR GROUP	P O BOX 5012, 13500 N CENTRAL EXPRESSWAY	DALLAS, TX 75222
05129	KILO ENGINEERING COMPANY	2015 D	LA VERNE, CA 91750
05820	WAKEFIELD ENGINEERING, INC.	AUDUBON ROAD	WAKEFIELD, MA 01880
06540	AMATOM ELECTRONIC HARDWARE, DIV. OF MITE CORP.	446 BLAKE ST.	NEW HAVEN, CT 06515
06666	GENERAL DEVICES CO., INC.	525 S. WEBSTER AVE.	INDIANAPOLIS, IN 46219
08261	SPECTRA-STRIP CORP.	7100 LAMPSON AVE.	GARDEN GROVE, CA 92642
12327	FREEWAY CORPORATION	9301 ALLEN DRIVE	CLEVELAND, OH 44125
12360	ALBANY PRODUCTS CO., DIV. OF PNEUMO DYNAMICS CORPORATION	145 WOODWARD AVENUE	SOUTH NORWALK, CT 06586
12697	CLAROSTAT MFG. CO., INC.	LOWER WASHINGTON STREET	DOVER, NH 03820
13511	AMPHENOL CADRE DIV., BUNKER RAMO CORP.		LOS GATOS, CA 95030
18583	CURTIS INSTRUMENTS, INC.	200 KISCO AVE.	MOUNT KISCO, NY 10549
22526	BERG ELECTRONICS, INC.	YOUK EXPRESSWAY	NEW CUMBERLAND, PA 17070
23050	PRODUCT COMPONENTS CORP	30 LORRAINE AVE.	MT VERNON, NY 10553
24931	SPECIALTY CONNECTOR CO., INC.	3560 MADISON AVE.	INDIANAPOLIS, IN 46227
25088	SIEMENS CORP.	186 WOOD AVE. S	ISELIN, NJ 08830
27143	ATLAS SPRING AND MFG. CO.	1805 N. SPAULDING AVE.	CHICAGO, IL 60647
28520	HEYMAN MFG. CO.	147 N. MICHIGAN AVE.	KENILWORTH, NJ 07033
28817	CAL-METEX CORP., SUBSIDIARY OF METEX CORP.	509 HINDRY AVE.	INGLEWOOD, CA 90301
42838	NATIONAL RIVET AND MFG. CO.	1-21 EAST JEFFERSON ST.	WAUPUN, WI 53963
55210	GETTIG ENG. AND MFG. COMPANY	PO BOX 85, OFF ROUTE 45	SPRING MILLS, PA 16875
63743	WARD LEONARD ELECTRIC CO., INC.	31 SOUTH ST.	MOUNT VERNON, NY 10550
70276	ALLEN MFG. CO.	P. O. DRAWER 570	HARTFORD, CT 06101
70278	ALLIED STEEL AND CONVEYORS, DIV. OF SPARTON CORP.	17333 HEALY	DETROIT, MI 48212
70485	ATLANTIC INDIA RUBBER WORKS, INC.	571 W. POLK ST.	CHICAGO, IL 60607
71159	BRISTOL SOCKET SCREW, DIV. OF AMERICAN CHAIN AND CABLE CO., INC.	P O BOX 2244, 40 BRISTOL ST.	WATERBURY, CT 06720
71279	CAMBRIDGE THERMIONIC CORP.	445 CONCORD AVE.	CAMBRIDGE, MA 02138
71590	CENTRALAB ELECTRONICS, DIV. OF GLOBE-UNION, INC.	P O BOX 858	FORT DODGE, IA 50501
71785	TRW, CINCH CONNECTORS	1501 MORSE AVENUE	ELK GROVE VILLAGE, IL 60007
73743	FISCHER SPECIAL MFG. CO.	446 MORGAN ST.	CINCINNATI, OH 45206
73803	TEXAS INSTRUMENTS, INC., METALLURGICAL MATERIALS DIV.	34 FOREST STREET	ATTLEBORO, MA 02703
74445	HOLO-KROME CO.	31 BROOK ST. WEST	HARTFORD, CT 06110
77342	AMF INC., POTTER AND BRUMFIELD DIV.	200 RICHLAND CREEK DRIVE	PRINCETON, IN 47671
78189	ILLINOIS TOOL WORKS, INC. SHAKEPROOF DIVISION	ST. CHARLES ROAD	ELGIN, IL 60120
79136	WALDES, KOHINOOR, INC.	47-16 AUSTEL PLACE	LONG ISLAND CITY, NY 11101
79807	WROUGHT WASHER MFG. CO.	2100 S. O BAY ST.	MILWAUKEE, WI 53207
80009	TEKTRONIX, INC.	P O BOX 500	BEAVERTON, OR 97077
81073	GRAYHILL, INC.	561 HILLGROVE AVE., PO BOX 373	LA GRANGE, IL 60525
82104	STANDARD GRIGSBY CO., DIV. OF SUN CHEMICAL CORPORATION	920 RATHBONE AVENUE	AURORA, IL 60507
82389	SWITCHCRAFT, INC.	5555 N. ELSTON AVE.	CHICAGO, IL 60630
82647	TEXAS INSTRUMENTS, INC., CONTROL PRODUCTS DIV.	34 FOREST ST.	ATTLEBORO, MA 02703
83385	CENTRAL SCREW CO.	2530 CRESCENT DR.	BROADVIEW, IL 60153
83907	ACCURATE RUBBER PRODUCTS CO.	123 N. RACINE	CHICAGO, IL 60607
86445	PENN FIBRE AND SPECIALTY CO., INC.	2032 E. WESTMORELAND ST.	PHILADELPHIA, PA 19134
86928	SEASTROM MFG. COMPANY, INC.	701 SONORA AVENUE	GLENDALE, CA 91201
87308	N. L. INDUSTRIES, INC., SOUTHERN SCREW DIV.	P. O. BOX 1360	STATESVILLE, NC 28677
88245	LITTON SYSTEMS, INC., USECO DIV.	13536 SATICOY ST.	VAN NUYS, CA 91409
91836	KINGS ELECTRONICS CO., INC.	40 MARBLEDALE ROAD	TUCKAHOE, NY 10707
93410	ESSEX INTERNATIONAL, INC., CONTROLS DIV. LEXINGTON PLANT	P. O. BOX 1007	MANSFIELD, OH 44903
93907	CAMCAR SCREW AND MFG. CO.	600 18TH AVE.	ROCKFORD, IL 61101
95987	WECKESSER CO., INC.	4444 WEST IRVING PARK RD.	CHICAGO, IL 60641
97464	INDUSTRIAL RETAINING RING CO.	57 CORDIER ST.	IRVINGTON, NJ 07111
98159	RUBBER TECK, INC.	19115 HAMILTON AVE., P O BOX 389	GARDENA, CA 90247

Fig. & Index No.	Tektronix Part No.	Serial/Model No. Eff Dscnt	Qty	1 2 3 4 5	Name & Description	Mfr Code	Mfr Part Number
1-1	200-1268-01		1		ADAPTER, CAMERA: (ATTACHING PARTS)	80009	200-1268-01
-2	211-0195-00		4		SCREW, MACHINE: 4-40 X 0.875 INCH, STL - - - * - - -	83385	0BD
	337-1497-00	B010100 B010149X	1		SHLD, IMPLOSION:	80009	337-1497-00
-3	331-0295-00		1		MASK, CRT SCALE: GRATICULE	80009	331-0295-00
-4	366-1166-00		1		KNOB: RED, 0.127 ID X 0.392 OD	80009	366-1166-00
	213-0153-00		1		. SETSCREW: 5-40 X 0.125, STL BK OXD, HEX	000CY	0BD
-5	366-1338-00		1		KNOB: GY, V/DIV, 0.252 OD X 1.125	80009	366-1338-00
	213-0153-00		2		. SETSCREW: 5-40 X 0.125, STL BK OXD, HEX	000CY	0BD
-6	366-1168-00		1		KNOB: BLACK CAP AND RED BODY	80009	366-1168-00
	213-0153-00		1		. SETSCREW: 5-40 X 0.125, STL BK OXD, HEX	000CY	0BD
-7	366-1385-00	B010100 B089999	1		KNOB: GY, 1.215 OD X 0.89 H	80009	366-1385-00
	366-1385-01	B090000 B142149	1		KNOB: GY, 1.215 OD X 0.89 H	80009	366-1385-01
	366-1385-00	B142150	1		KNOB: GY, 1.215 OD X 0.89 H	80009	366-1385-00
	213-0243-00	B010100 B089999	2		. SETSCREW: 5-40 X 0.25 INCH, HEX SOC STL	70276	0BD
	377-0293-01	B090000 B142149	1		. INSERT, KNOB: 0.203 ID X 0.8 THK, AL, 0.661	80009	377-0293-01
	213-0243-00	B142150	2		. SETSCREW: 5-40 X 0.25 INCH, HEX SOC STL	70276	0BD
-8	354-0413-00		1		RING, KNOB SKIRT: 1.75 INCH OD, PLASTIC	80009	354-0413-00
	213-0218-00		1		. SETSCREW: 6-32 X 0.25 INCH, HEX SOC STL	74445	0BD
-9	366-1166-00		1		KNOB: RED, 0.127 ID X 0.392 OD	80009	366-1166-00
	213-0153-00		1		. SETSCREW: 5-40 X 0.125, STL BK OXD, HEX	000CY	0BD
-10	366-1338-00		1		KNOB: GY, V/DIV, 0.252 OD X 1.125	80009	366-1338-00
	213-0153-00		1		. SETSCREW: 5-40 X 0.125, STL BK OXD, HEX	000CY	0BD
-11	366-0494-00		1		KNOB: GRAY WITH SETSCREW	80009	366-0494-00
	213-0153-00		1		. SETSCREW: 5-40 X 0.125, STL BK OXD, HEX	000CY	0BD
-12	366-0494-00		1		KNOB: GRAY WITH SETSCREW	80009	366-0494-00
	213-0153-00		1		. SETSCREW: 5-40 X 0.125, STL BK OXD, HEX	000CY	0BD
-13	366-0494-00		1		KNOB: GRAY WITH SETSCREW	80009	366-0494-00
	213-0153-00		1		. SETSCREW: 5-40 X 0.125, STL BK OXD, HEX	000CY	0BD
-14	366-0215-02		7		KNOB: LEVER SWITCH	80009	366-0215-02
-15	366-0494-00		1		KNOB: GRAY WITH SETSCREW	80009	366-0494-00
	213-0153-00		1		. SETSCREW: 5-40 X 0.125, STL BK OXD, HEX	000CY	0BD
-16	366-0494-00		1		KNOB: GRAY WITH SETSCREW	80009	366-0494-00
	213-0153-00		1		. SETSCREW: 5-40 X 0.125, STL BK OXD, HEX	000CY	0BD
-17	366-1391-00		1		KNOB: GY, 0.081 ID X 0.28 OD	80009	366-1391-00
	213-0239-00		1		. SETSCREW: 3-48 X 0.062 INCH, HEX SOC STL	71159	0BD
-18	366-1315-00		1		KNOB: GY, 0.125 ID X 0.5 OD	80009	366-1315-00
	213-0153-00		1		. SETSCREW: 5-40 X 0.125, STL BK OXD, HEX	000CY	0BD
-19	366-0494-00		1		KNOB: GRAY WITH SETSCREW	80009	366-0494-00
	213-0153-00		1		. SETSCREW: 5-40 X 0.125, STL BK OXD, HEX	000CY	0BD
-20	366-0392-00		1		KNOB: GY, 0.125 ID X 0.375 H	80009	366-0392-00
-21	366-1391-00		1		KNOB: GY, 0.081 ID X 0.28 OD	80009	366-1391-00
	213-0239-00		1		. SETSCREW: 3-48 X 0.062 INCH, HEX SOC STL	71159	0BD
-22	366-1315-00		1		KNOB: GY, 0.127 ID X 0.5 OD	80009	366-1315-00
	213-0153-00		1		. SETSCREW: 5-40 X 0.125, STL BK OXD, HEX	000CY	0BD
-23	331-0328-00		1		DIAL, CONTROL: 10 TURN FOR 0.25 DIA SHAFT	05129	461-S-70
	213-0048-00		1		. SETSCREW: 4-40 X 0.125 INCH, HEX SOC STL	74445	0BD
-24	366-0494-00		1		KNOB: GRAY WITH SETSCREW	80009	366-0494-00
	213-0153-00		1		. SETSCREW: 5-40 X 0.125, STL BK OXD, HEX	000CY	0BD
-25	426-0785-00		17		FR, PUSH BUTTON: GRAY PLASTIC	80009	426-0785-00
-26	378-0690-03		1		LENS, LIGHT: AMBER--20MHZ	80009	378-0690-03
-27	378-0690-04		2		LENS, LIGHT: AMBER--RESET	80009	378-0690-04
-28	378-0690-05		1		LENS, LIGHT: AMBER--READY	80009	378-0690-05
-29	378-0690-06		1		LENS, LIGHT: AMBER--TRIC'D	80009	378-0690-06
-30	358-0301-02		2		BUSHING, SLEEVE: GRAY PLASTIC	80009	358-0301-02
-31	358-0378-00		2		BUSHING, SLEEVE: PRESS MOUNT	80009	358-0378-00
	129-0053-00		1		POST, BDG, ELEC: UNINSULATED	80009	129-0053-00
-32	355-0507-00		1		. STUD, SHOULDERED: BINDING POST	80009	355-0507-00
-33	200-0103-00		1		. NUT, PLAIN, KNURL: 0.25-28 X 0.375" OD, BRASS (ATTACHING PARTS)	80009	200-0103-00
-34	210-0583-00		1		NUT, PLAIN, HEX.: 0.25-32 X 0.312 INCH, BRS	73743	2X20224-402
-35	210-0046-00		1		WASHER, LOCK: INTL, 0.26 ID X 0.40" OD, STL - - - * - - -	78189	1214-05-00-0541C

Replaceable Mechanical Parts--485

Fig. & Index No.	Tektronix Part No.	Serial/Model No. Eff Dscnt	Qty	1	2	3	4	5	Name & Description	Mfr Code	Mfr Part Number
1-36	333-1476-00		1						PANEL,FRONT:485	80009	333-1476-00
	333-1476-01		1						PANEL,FRONT:485-1	80009	333-1476-01
	333-1476-02		1						PANEL,FRONT:485-2	80009	333-1476-02
-37	352-0299-00		1						LAMPHOLDER:GRATICULE	80009	352-0299-00
-38	352-0277-00		3						LAMPHOLDER:	80009	352-0277-00
-39	200-0935-00		3						BASE,LAMPHOLDER:0.29 OD X 0.19 CASE	80009	200-0935-00
-40	401-0080-00		1						BRG,KNOB SKIRT:0.789 ID X 0.866"OD PLASTIC	80009	401-0080-00
-41	-----		3						RES.,VAR:(R290,R1569,R1570 EPL) (ATTACHING PARTS)		
-42	210-0583-00		1						NUT,PLAIN,HEX.:0.25-32 X 0.312 INCH,BRS	73743	2X20224-402
-43	210-0046-00		1						WASHER,LOCK:INTL,0.26 ID X 0.40" OD,STL ----- *-----	78189	1214-05-00-0541C
-44	366-1351-01		1						PUSH BUTTON:--BW LIMIT	80009	366-1351-01
-45	366-1351-03		1						PUSH BUTTON:--BEAM FINDER	80009	366-1351-03
-46	260-1315-00		1						SWITCH,PUSH:2 BUTTON (ATTACHING PARTS)	71590	2KBM020000-529
-47	211-0022-00		2						SCREW,MACHINE:2-56 X 0.188 INCH,PNH STL	83385	OBD
-48	210-0405-00		1						NUT,PLAIN,HEX.:2-56 X 0.188 INCH,BRS	73743	2X12157-402
-49	210-0001-00		1						WASHER,LOCK:INTL,0.092 ID X 0.18"OD,STL	78189	1202-00-00-0541C
-50	386-2050-00		1						PLATE,SW MTG:PUSHBUTTON ----- *-----	80009	386-2050-00
-51	-----		2						RES.,VAR:(SEE R220,R230 EPL) (ATTACHING PARTS)		
-52	358-0409-00		1						BSHG,MACH.THD:0.25-32 X 0.159 ID X 0.24	80009	358-0409-00
-53	210-0046-00		2						WASHER,LOCK:INTL,0.26 ID X 0.40" OD,STL	78189	1214-05-00-0541C
-54	210-0471-00		1						NUT,SLEEVE:HEX.,0.312 X 0.594 INCH LONG	80009	210-0471-00
-55	210-0223-00		1						TERMINAL,LUG:0.25 INCH DIA,SE ----- *-----	86928	A313-136
-56	260-0735-00		1						SWITCH,PUSH:SPST	81073	39-1
-57	-----		1						RES.,VAR:(SEE R920 EPL) (485 ONLY)		
-58	-----		1						RES.,VAR:(SEE R720 EPL) (ATTACHING PARTS)		
-59	210-0583-00		1						NUT,PLAIN,HEX.:0.25-32 X 0.312 INCH,BRS ----- *-----	73743	2X20224-402
-60	260-0816-01		1						SWITCH,SLIDE:DPDT,0.5A,125V (ATTACHING PARTS)	80009	260-0816-01
-61	210-0405-00		2						NUT,PLAIN,HEX.:2-56 X 0.188 INCH,BRS	73743	2X12157-402
-62	210-0001-00		2						WASHER,LOCK:INTL,0.092 ID X 0.18"OD,STL ----- *-----	78189	1202-00-00-0541C
-63	366-1381-01		1						PUSH BUTTON:--POWER	80009	366-1381-01
-64	384-1060-00		1						EXTENSION SHAFT:7.831 INCH LONG	80009	384-1060-00
-65	131-0955-00		2						CONNECTOR,RCPT,:BNC,FEMALE,W/HARDWARE (ATTACHING PARTS)	13511	31-279
-66	210-0590-00		1						NUT,PLAIN,HEX.:0.375 X 0.438 INCH,STL	73743	2X28269-402
-67	210-0012-00		1						WASHER,LOCK:INTL,0.375 ID X 0.50" OD STL	78189	1220-02-00-0541C
-68	210-0207-00		1						TERMINAL,LUG:0.375 INCH DIAMETER ----- *-----	12697	01136902
-69	198-2445-00		1						WIRE SET,ELEC:FOR SUBPANEL ASSEMBLY	80009	198-2445-00
	131-0818-00		1						CONNECTOR,RCPT,:BNC,FEMALE (ATTACHING PARTS)	91836	KC19-153BNC
-70	210-0590-00		1						NUT,PLAIN,HEX.:0.375 X 0.438 INCH,STL	73743	2X28269-402
-71	210-0012-00		1						WASHER,LOCK:INTL,0.375 ID X 0.50" OD STL ----- *-----	78189	1220-02-00-0541C
-72	210-0774-00		1						EYELET,METALLIC:0.152 OD X 0.245 INCH L,BRS	80009	210-0774-00
-73	210-0775-00		1						EYELET,METALLIC:0.126 OD X 0.23 INCH L,BRS	80009	210-0775-00
-74	-----		1						RES.,VAR:(SEE R450 EPL) (ATTACHING PARTS)		
	213-0048-00		1						SETSCREW:4-40 X 0.125 INCH,HEX SOC STL ----- *-----	74445	OBD
-75	-----		1						RES.,VAR:(SEE R898 EPL) (ATTACHING PARTS)		
-76	210-0583-00		1						NUT,PLAIN,HEX.:0.25-32 X 0.312 INCH,BRS	73743	2X20224-402
-77	210-0046-00		1						WASHER,LOCK:INTL,0.26 ID X 0.40" OD,STL ----- *-----	78189	1214-05-00-0541C

Fig. & Index No.	Tektronix Part No.	Serial/Model No. Eff Dscont	Qty	1 2 3 4 5	Name & Description	Mfr Code	Mfr Part Number
1-78	-----		1		RES.,VAR:(SEE R1300 EPL) (ATTACHING PARTS)		
-79	210-0583-00		1		NUT,PLAIN,HEX.:0.25-32 X 0.312 INCH,BRS	73743	2X20224-402
-80	210-0940-00		1		WASHER,FLAT:0.25 ID X 0.375 INCH OD,STL	79807	OBD
					- - - * - - -		
-81	366-1351-02		1		PUSH BUTTON:--FREQ	80009	366-1351-00
-82	384-1099-00		1		EXTENSION SHAFT:PUSH BUTTON,1.54 INCH LONG	80009	384-1099-00
-83	-----		1		RES.,VAR:(SEE R1020 EPL) (ATTACHING PARTS)		
-84	210-0583-00		1		NUT,PLAIN,HEX.:0.25-32 X 0.312 INCH,BRS	73743	2X20224-402
					- - - * - - -		
-85	366-1351-12		1		PUSH BUTTON:--CH1	80009	366-1351-12
-86	366-1351-05		1		PUSH BUTTON:--ALT	80009	366-1351-05
-87	366-1351-13		1		PUSH BUTTON:--CHOP	80009	366-1351-13
-88	366-1351-14		1		PUSH BUTTON:--ADD	80009	366-1351-14
-89	366-1351-09		1		PUSH BUTTON:--X-Y	80009	366-1351-09
-90	366-1351-04		1		PUSH BUTTON:--CH2	80009	366-1351-04
-91	384-1101-00		6		EXTENSION SHAFT:4.14 INCH LONG	80009	384-1101-00
-92	260-1319-00		1		SWITCH,PUSH:6 BUTTON,INTERLOCK (ATTACHING PARTS)	80009	260-1319-00
-93	213-0138-00		4		SCR,TPG,THD FOR:4-40 X 0.188 INCH,PNH STL	83385	OBD
					- - - * - - -		
-94	366-1351-11		1		PUSH BUTTON:--NORM	80009	366-1351-11
-95	366-1351-12		1		PUSH BUTTON:--CH1	80009	366-1351-12
-96	366-1351-04		1		PUSH BUTTON:--CH2	80009	366-1351-04
-97	384-1100-00		3		EXTENSION SHAFT:0.13 SQ X 6.215" LONG,PLSTC	80009	384-1100-00
-98	260-1317-00		1		SWITCH,PUSH:3 BUTTON,2 POLE,INTERLOCK (ATTACHING PARTS)	80009	260-1317-00
-99	220-0413-00		2		NUT,SLEEVE:4-40 X 0.562 INCH LONG	80009	220-0413-00
					- - - * - - -		
-100	366-1351-08		1		PUSH BUTTON:--A	80009	366-1351-08
-101	366-1351-06		1		PUSH BUTTON:--INTEN	80009	366-1351-06
-102	366-1351-05		1		PUSH BUTTON:--ALT	80009	366-1351-05
-103	366-1351-15		1		PUSH BUTTON:--B	80009	366-1351-15
-104	260-1318-00		1		SWITCH,PUSH:4 BUTTON,2 POLE,INTERLOCK (ATTACHING PARTS)	80009	260-1318-00
-105	211-0159-00		1		SCREW,MACHINE:2-56 X 0.375 INCH,PNH STL	87308	OBD
-106	361-0407-00		1		SPACER,SLEEVE:0.125 OD X 0.193 INCH LONG	80009	361-0407-00
	211-0022-00		1		SCREW,MACHINE:2-56 X 0.188 INCH,PNH STL	83385	OBD
					- - - * - - -		
-107	348-0031-00		1		GROMMET,PLASTIC:0.156 INCH DIA	80009	348-0031-00
-108	220-0547-01		2		NUT,BLOCK:0.38 X 0.25 X 0.282"OA (ATTACHING PARTS)	80009	220-0547-01
-109	211-0007-00		2		SCREW,MACHINE:4-40 X 0.188 INCH,PNH STL	83385	OBD
					- - - * - - -		
-110	407-0972-00		1		BRACKET,CMPNT:ALUMINUM (ATTACHING PARTS)	80009	407-0972-00
-111	211-0105-00		3		SCREW,MACHINE:4-40 X 0.188"100 DEG,FLH STL	83385	OBD
-112	210-0586-00		1		NUT,PLAIN,EXT W:4-40 X 0.25 INCH,STL	78189	211-041800-00
					- - - * - - -		
-113	426-0805-01		1		FRAME PANEL,CAB:FRONT SUB	80009	426-0805-01
-114	260-1395-00		1		SWITCH,ROTARY:A SOURCE (ATTACHING PARTS)	82104	260-1395-00
-115	210-0406-00		2		NUT,PLAIN,HEX.:4-40 X 0.188 INCH,BRS	73743	2X12161-402
-116	210-0004-00		2		WASHER,LOCK:#4 INTL,0.015 THK,STL CD PL	78189	1204-00-00-0541C
					- - - * - - -		
-117	260-1312-00		1		SWITCH,LEVER:1 SECT,4 POSN,22.5 DEG (ATTACHING PARTS)	80009	260-1312-00
	210-0406-00		2		NUT,PLAIN,HEX.:4-40 X 0.188 INCH,BRS	73743	2X12161-402
	210-0004-00		2		WASHER,LOCK:#4 INTL,0.015 THK,STL CD PL	78189	1204-00-00-0541C
					- - - * - - -		
-118	260-1313-00		1		SWITCH,LEVER:1 SECT,4 POSN,22.5 DEG (ATTACHING PARTS)	80009	260-1313-00
	210-0406-00		2		NUT,PLAIN,HEX.:4-40 X 0.188 INCH,BRS	73743	2X12161-402
	210-0004-00		2		WASHER,LOCK:#4 INTL,0.015 THK,STL CD PL	78189	1204-00-00-0541C
					- - - * - - -		

Replaceable Mechanical Parts—485

Fig. & Index No.	Tektronix Part No.	Serial/Model No. Eff Dscont	Qty	1	2	3	4	5	Name & Description	Mfr Code	Mfr Part Number
1-119	260-1311-00		1						SWITCH, LEVER: 1 SECT, 4 POSN, 22.5 DEG (ATTACHING PARTS)	80009	260-1311-00
	210-0406-00		2						NUT, PLAIN, HEX.: 4-40 X 0.188 INCH, BRS	73743	2X12161-402
	210-0004-00		2						WASHER, LOCK: #4 INTL, 0.015 THK, STL CD L - - - * - - -	78189	1204-00-00-0541C
-120	260-1312-00		1						SWITCH, LEVER: 1 SECT, 4 POSN, 22.5 DEG (ATTACHING PARTS)	80009	260-1312-00
	210-0406-00		2						NUT, PLAIN, HEX.: 4-40 X 0.188 INCH, BRS	73743	2X12161-402
	210-0004-00		2						WASHER, LOCK: #4 INTL, 0.015 THK, STL CD PL - - - * - - -	78189	1204-00-00-0541C
-121	-----		2						RES., VAR: (SEE R270, R370 EPL) (ATTACHING PARTS)		
-122	210-0583-00		1						NUT, PLAIN, HEX.: 0.25-32 X 0.312 INCH, BRS - - - * - - -	73743	2X20224-402
	376-0051-00	B010100 B121859	2						CPLG, SHAFT, FLEX: FOR 0.125 INCH DIA SHAFTS	80009	376-0051-00
-123	376-0051-01	B121860	2						CPLG, SHAFT, FLEX: FOR 0.125 INCH DIA SHAFTS	80009	376-0051-01
	195-0048-00		1						LEAD, ELECTRICAL: 0.018 DIA X 0.75" MIN L	80009	195-0048-00
-124	384-0282-00		2						EXTENSION SHAFT: 0.125 OD X 0.625 INCH LONG	80009	384-0282-00
	672-0036-00	B010100 B159999	2						ASSEMBLY, ATTEN: CH1 VOLTS/DIV, CH2 VOLTS DIV (485, 485-1 ONLY)	80009	672-0036-00
	672-0036-02	B160000 B166999	2						ASSEMBLY, ATTEN: CH1 VOLTS/DIV, CH2 VOLTS DIV (485, 485-1 ONLY)	80009	672-0036-02
	672-0036-03	B167000	2						ASSEMBLY, ATTEN: CH1 VOLTS/DIV, CH2 VOLTS DIV (485, 485-1 ONLY)	80009	672-0036-03
	672-0055-00	B010100 B159999	2						ASSEMBLY, ATTEN: CH1 VOLTS/DIV, CH2 VOLTS/DIV (485-2 ONLY)	80009	672-0055-00
	672-0055-01	B160000	2						ASSEMBLY, ATTEN: CH1 VOLTS/DIV, CH2 VOLTS/DIV (485-2 ONLY)	80009	672-0055-01
-125	337-1477-00	B010100 B019999	1						SHLD, ELECTRICAL: ATTEN TOP (ADDED TO HI Z ATTENUATOR BOARD ASSY) (ATTACHING PARTS)	80009	337-1477-00
-126	211-0116-00	B010100 B019999	5						SCR, ASSEM WSHR: 4-40 X 0.312 INCH, PNH BRS (ADDED TO HI Z ATTENUATOR BOARD ASSY) - - - * - - -	83385	OBD
-127	337-1478-00	B010100 B019999	1						SHLD, ELECTRICAL: ATTEN BOTTOM (ADDED TO HI Z ATTENUATOR BOARD ASSY) (ATTACHING PARTS)	80009	337-1478-00
-128	211-0116-00	B010100 B019999	4						SCR, ASSEM WSHR: 4-40 X 0.312 INCH, PNH BRS (ADDED TO HI Z ATTENUATOR BOARD ASSY) - - - * - - -	83385	OBD
-129	-----		1						CKT BOARD ASSY: 50 OHM ATTEN (SEE A5, A6 EPL) (A6 REPLACES A5 IN 485-2 ONLY)		
-130	129-0317-00		5						POST, ELEC-MECH: 4-40 X 0.187 X 0.125 INCH L	80009	129-0317-00
-131	131-0589-00		1						TERM, PIN: 0.46 L X 0.025 SQ. PH BRZ GL	22526	47350
-132	131-1003-00		3						CONN, RCPT, ELEC: CKT BD MT, 3 PRONG	80009	131-1003-00
-133	136-0252-04		3						SOCKET, PIN TERM: 0.188 INCH LONG	22526	75060-007
-134	260-1314-00		1						SWITCH, PUSH: 1 BUTTON, 50 OHM/1M OHM (485, 485-1 ONLY)	80009	260-1314-00
	260-1492-00		1						SWITCH, PUSH: 1 BUTTON, 4 POLE (485-2 ONLY)	80009	260-1492-00
-135	131-1031-00		10						CONTACT ASSY, EL: CAM SWITCH, TOP	80009	131-1031-00
-136	131-1030-00		10						CONT ASSY, ELEC: CAM SWITCH, BOTTOM (ATTACHING PARTS)	80009	131-1030-00
	210-0779-00		10						RIVET, TUBULAR: 0.051 OD X 0.115 INCH LONG - - - * - - -	42838	RA-29952715
-137	131-1134-00		8						CONTACT, ELEC: CKT CARD TO SHIELD	80009	131-1134-00
-138	337-1479-00		1						SHIELD, GUIDE: PUSH BUTTON SWITCH	80009	337-1479-00
	198-2770-00		1						WIRE SET, ELEC:	80009	198-2770-00
	352-0161-00		2						HLDR, TERM CONN: 3 WIRE BLACK (ATTACHING PARTS)	80009	352-0161-00
-139	213-0277-00		6						SCR, TPG, THD FOR: 2-56 X 0.312 INCH, PNH STL	83385	OBD
-140	210-0053-00		6						WASHER, LOCK: INTL, 0.092 ID X 0.175" OD, STL	83385	OBD
-141	210-1008-00		6						WASHER, FLAT: 0.09 ID X 0.188" OD, BRS - - - * - - -	12360	OBD

Fig. & Index No.	Tektronix Part No.	Serial/Model No. Eff Dscont	Qty	1	2	3	4	5	Name & Description	Mfr Code	Mfr Part Number
1-142	366-1214-04		1	PUSH BUTTON:--MARK	80009	366-1214-04
-143	380-0200-00		1	HSG,PUSHBUTTON:POSN INDICATOR,BLK ACETAL	80009	380-0200-00
-144	384-1099-00		1	EXTENSION SHAFT:PUSH BUTTON,1.54 INCH LONG	80009	384-1099-00
-145	384-1078-00		1	EXTENSION SHAFT:0.124 OD X 6.843 INCH LONG	80009	384-1078-00
-146	131-0679-00	B010100 B131949	1	CONNECTOR,RCPT,:BNC,MALE,3 CONTACT	24931	28JR168-1
	131-0679-01	B131950	1	CONNECTOR,RCPT,:BNC,MALE,3 CONTACT (ATTACHING PARTS)	24931	28JR168-1
-147	361-0424-00	B010100 B131949X	1	SPACER,RING:0.515 ID X 0.625 OD X 0.85"TH - - - * - - -	80009	361-0424-00
	210-1039-00	B131950	1	WASHER,LOCK:INT,0.521 ID X 0.625 INCH OD	24931	OBD
	220-0497-00	B131950	1	NUT,PLAIN,HEX.:0.5-28 X 0.562 INCH HEX,BRS	73743	OBD
-148	131-1135-00		1	CONTACT,ELEC:BNC TO CRT BOARD	80009	131-1135-00
-149	441-1017-00		1	CHASSIS,OSCP:ATTEN SWITCH	80009	441-1017-00
-150	220-0455-00		1	NUT,BLOCK:0.281"SQ,THREE 4-40 THRU THDS (ATTACHING PARTS)	80009	220-0455-00
-151	211-0007-00		1	SCREW,MACHINE:4-40 X 0.188 INCH,PNH STL	83385	OBD
-152	211-0116-00		1	SCR,ASSEM WSHR:4-40 X 0.312 INCH,PNH BRS - - - * - - -	83385	OBD
-153	-----		1	CKT BOARD ASSY:LIGHT BLOCK(SEE A1,A2 EPL) - (A2 REPLACES A1 IN 485-2 ONLY)		
-154	352-0300-00	B010100 B166699	1	HOLDER,LAMPS:VOLTS/DIV DIAL	80009	352-0300-00
	352-0300-01	B166700	1	HOLDER,LAMPS:VOLTS/DIV DIAL	80009	352-0300-01
	198-2771-00		1	WIRE SET,ELEC:LIGHT BLOCK BOARD	80009	198-2771-00
-155	131-0621-00		2	CONNECTOR,TERM:22-26 AWG,BRS& CU BE GOLD	22526	46231
-156	131-0707-00		12	CONNECTOR,TERM.:22-26 AWG,BRS& CU BE GOLD	22526	47439
-157	352-0164-00		2	CONN BODY,PL,EL:6 WIRE BLACK	80009	352-0164-00
-158	175-0829-00		FT	WIRE,ELECTRICAL:6 WIRE RIBBON (ATTACHING PARTS)	08261	SS-0626-710610C
-159	210-0405-00		2	NUT,PLAIN,HEX.:2-56 X 0.188 INCH,BRS - - - * - - -	73743	2X12157-402
-160	-----		1	CKT BOARD ASSY:HI Z ATTEN(SEE A3, A4 EPL) - (A4 REPLACES A3 IN 485-2 ONLY)		
-161	129-0259-00		2	POST,ELEC-MECH:4-40 X 0.187 OD X 0.39" LG	80009	129-0259-00
-162	131-0608-00		22	TERMINAL,PIN:0.365 L X 0.25 PH,BRZ,GOLD PL	22526	47357
-163	131-1003-00		2	CONN,RCPT,ELEC:CKT BD MT,3 PRONG	80009	131-1003-00
-164	136-0252-01		12	CONTACT,ELEC:0.178 INCH LONG	00779	1-332095-2
	136-0252-04		53	SOCKET,PIN TERM:0.188 INCH LONG	22526	75060-007
-165	131-1031-00		8	CONTACT ASSY,EL:CAM SWITCH, TOP	80009	131-1031-00
-166	131-1030-00		8	CONT ASSY,ELEC:CAM SWITCH,BOTTOM (ATTACHING PARTS)	80009	131-1030-00
	210-0779-00		8	RIVET,TUBULAR:0.051 OD X 0.115 INCH LONG - - - * - - -	42838	RA-29952715
-167	131-1134-00		10	CONTACT,ELEC:CKT CARD TO SHIELD	80009	131-1134-00
-168	407-0803-00		1	BRACKET,ELEC SW:BRASS	80009	407-0803-00
	351-0180-00	B020000	1	SLIDE,GUIDE:SWITCH ACTUATOR	80009	351-0180-00
	337-1477-00	B020000	1	SHLD,ELECTRICAL:ATTEN TOP (ATTACHING PARTS)	80009	337-1477-00
	211-0007-00	B020000	8	SCREW,MACHINE:4-40 X 0.188 INCH,PNH STL - - - * - - -	83385	OBD
	337-1478-00	B020000	1	SHLD,ELECTRICAL:ATTEN BOTTOM (ATTACHING PARTS)	80009	337-1478-00
	211-0007-00	B020000	4	SCREW,MACHINE:4-40 X 0.188 INCH,PNH STL - - - * - - -	83385	OBD
	334-3448-00	XB156050	1	MARKER,IDENT:MARKED NOTICE	80009	334-3448-00
-169	129-0299-00		2	POST,ELEC-MECH:HEX,0.333 INCH LONG (ATTACHING PARTS)	80009	129-0299-00
-170	210-1002-00		1	WASHER,FLAT:0.125 ID X 0.25 INCH OD,BRS	12327	OBD
-171	210-0053-00		1	WASHER,LOCK:INTL,0.092 ID X 0.175"OD,STL - - - * - - -	83385	OBD
-172	119-0325-00		1	DELAY LINE,ELEC:ATTEN (ATTACHING PARTS)		
-173	213-0113-00		1	SCR,TPG,THD FOR:2-32 X 0.312 INCH,PNH STL	93907	OBD
-174	210-1008-00		1	WASHER,FLAT:0.09 ID X 0.188" OD,BRS	12360	OBD
-175	210-0054-00		1	WASHER,LOCK:SPLIT,0.118 ID X 0.212"OD STL - - - * - - -	83385	OBD

Replaceable Mechanical Parts—485

Fig. & Index No.	Tektronix Part No.	Serial/Model No. Eff Dscont	Qty	1 2 3 4 5	Name & Description	Mfr Code	Mfr Part Number
1-176	210-0774-00		4	.	EYELET, METALLIC: 0.152 OD X 0.245 INCH L, BRS	80009	210-0774-00
-177	210-0775-00		4	.	EYELET, METALLIC: 0.126 OD X 0.23 INCH L, BRS	80009	210-0775-00
-178	361-0425-01		2	.	SPACER, BAR: CKT BOARD STIFFENER (ATTACHING PARTS)	80009	361-0425-01
-179	213-0277-00		2	.	SCR, TPG, THD FOR: 2-56 X 0.312 INCH, PNH STL	83385	OBD
-180	210-0053-00		2	.	WASHER, LOCK: INTL, 0.092 ID X 0.175" OD, STL	83385	OBD
-181	210-1008-00		2	.	WASHER, FLAT: 0.09 ID X 0.188" OD, BRS	12360	OBD
-182	214-1575-00		1	.	ACTUATOR, SL SW: DUAL SPDT, CKT BD MTG	80009	214-1575-00
-183	351-0180-00	B010100 B019999X	1	.	SLIDE, GUIDE: SWITCH ACTUATOR (ADDED TO HI Z ATTENUATOR BOARD ASSY)	80009	351-0180-00
-184	214-1190-00		1	.	CPLG, SHAFT, RGD: 0.125 OD TO 0.125 OD, AL	80009	214-1190-00
	213-0075-00		1	.	SETSCREW: 4-40 X 0.094 INCH, HEX SOC STL	000BK	OBD
	213-0140-00		1	.	SETSCREW: 2-56 X 0.94 INCH, HEX SOC STL	70276	OBD
-185	-----		1	.	RES., VAR: (SEE R90 EPL)		
	-----		-	.	(485,485-1 ONLY)		
					(ATTACHING PARTS)		
-186	210-0583-00		1	.	NUT, PLAIN, HEX.: 0.25-32 X 0.312 INCH, BRS	73743	2X20224-402
-187	210-0046-00		1	.	WASHER, LOCK: INTL, 0.26 ID X 0.40" OD, STL	78189	1214-05-00-0541C
	131-1314-00		1	.	CONTACT, ELEC: GROUNDING (485-2 ONLY)	80009	131-1314-00
-188	105-0243-00		1	.	ACTUATOR, SWITCH:	80009	105-0243-00
	105-0243-01		1	.	ACTUATOR, SWITCH:	80009	105-0243-01
-189	213-0214-00		1	.	SCREW, CAP SCH: 2-56 X 0.375" HEX HD STL	70278	OBD
	263-1156-00	XB144460	1	.	SW CAM ACTR AS: ATTENUATOR (ATTACHING PARTS)	80009	263-1156-00
-190	211-0116-00		12	.	SCR, ASSEM WSHR: 4-40 X 0.312 INCH, PNH BRS	83385	OBD
-191	131-0963-00		2	.	CONTACT, ELEC: GROUNDING (485-2 ONLY)	000EX	OBD
	-----		-	.	SWITCH ASSY INCLUDES:		
-192	214-1139-00		1	.	SPRING, FLAT: 0.885 X 0.156 CU BE GLD CLR	80009	214-1139-00
	214-1139-02		1	.	SPRING, FLAT: GREEN COLORED	80009	214-1139-02
	214-1139-03		3	.	SPRING, FLAT: RED COLORED	80009	214-1139-03
-193	214-1127-00		4	.	ROLLER, DETENT: 0.125 DIA X 0.125 INCH L	80009	214-1127-00
-194	210-0406-00		6	.	NUT, PLAIN, HEX.: 4-40 X 0.188 INCH, BRS	73743	2X12161-402
-195	401-0081-02		2	.	BEARING, CAM SW: FRONT (ATTACHING PARTS)	80009	401-0081-02
-196	354-0391-00		1	.	RING, RETAINING: 0.395" FREE ID X 0.025" STL	97464	3100-43-CD
-197	105-0282-00		1	.	ACTUATOR, CAM SW:	80009	105-0282-00
	210-0406-00		4	.	NUT, PLAIN, HEX.: 4-40 X 0.188 INCH, BRS	73743	2X12161-402
-198	401-0115-00		1	.	BEARING, CAM SW: CENTER	80009	401-0115-00
-199	105-0283-00		1	.	ACTUATOR, CAM SW:	80009	105-0283-00
	98-3047-00		1	.	WIRE SET ELEC: ATTENUATOR ASSEMBLY	80009	198-3047-00
	210-0774-00		3	.	EYELET, METALLIC: 0.152 OD X 0.245 INCH L, BRS	80009	210-0774-00
	210-0775-00		3	.	EYELET, METALLIC: 0.126 OD X 0.23 INCH L, BRS (ATTACHING PARTS)	80009	210-0775-00
-200	210-0590-00		2	.	NUT, PLAIN, HEX.: 0.375 X 0.438 INCH, STL	73743	2X28269-402
	211-0503-00		1	.	SCREW, MACHINE: 6-32 X 0.188 INCH, PNH STL	83385	OBD
-201	337-1630-00		1	.	SHIELD, FUSE: PAINTED (ATTACHING PARTS)	80009	337-1630-00
-202	211-0007-00		1	.	SCREW, MACHINE: 4-40 X 0.188 INCH, PNH STL	83385	OBD
	211-0105-00		1	.	SCREW, MACHINE: 4-40 X 0.188" 100 DEG, FLH STL	83385	OBD
	210-0801-00		1	.	WASHER, FLAT: 0.14 ID X 0.281 OD NP STL	12327	OBD
-203	119-0302-00		1	.	DELAY LINE, ELEC:	80009	119-0302-00
-204	-----		1	.	COIL: (SEE L1794 EPL) (ATTACHING PARTS)		
-205	211-0147-00		1	.	SCREW, MACHINE: 4-40 X 0.25 INCH, PNH STL	83385	OBD
-206	210-0994-00		1	.	WASHER, FLAT: 0.125 ID X 0.25" OD, STL	86928	5714-147-20N
-207	211-0148-00		1	.	SCREW, MACHINE: 4-40 X 0.312 INCH, PNH STL	83385	OBD
-208	210-0863-00		1	.	WSHR, LOOP CLAMP: FOR 0.50" WIDE CLAMP, STL	95987	C191
-209	343-0002-00		1	.	CLAMP, LOOP: 0.188 INCH DIA	95987	3-16-6B
-210	343-0217-00		1	.	CLAMP, COIL: Y-AXIS (485-2 ONLY)	80009	343-0217-00

Fig. & Index No.	Tektronix Part No.	Serial/Model No. Eff Dscont	Qty	1 2 3 4 5	Name & Description	Mfr Code	Mfr Part Number
1-211	407-1045-00		2		BRACKET,ANGLE:CRT SHIELD,ALUMINUM (ATTACHING PARTS)	80009	407-1045-00
-212	211-0590-00		1		SCREW,MACHINE:6-32 X 0.25 INCH,PNH STL	83385	OBD
-213	210-0457-00		1		NUT,PLAIN,EXT W:6-32 X 0.312 INCH,STL - - - * - - -	83385	OBD
-214	214-0291-00		1		CONTACT,SPRING:1.188 X 0.375 X 0.25 INCH (ATTACHING PARTS)	80009	214-0291-00
-215	211-0590-00		1		SCREW,MACHINE:6-32 X 0.25 INCH,PNH STL	83385	OBD
-216	210-0457-00		1		NUT,PLAIN,EXT W:6-32 X 0.312 INCH,STL	83385	OBD
-217	210-0202-00		1		TERMINAL,LUG:0.146 ID,LOCKING,BRZ TINNED - - - * - - -	78189	2104-06-00-2520N
-218	337-1496-00		1		SHLD,ELECTRICAL:CRT	80009	337-1496-00
-219	386-2246-00		1		SUPPORT,CRT:REAR	80009	386-2246-00
-220	386-2188-00		1		SUPPORT,CRT:FRONT	80009	386-2188-00
	136-0489-00		1		SOCKET ASSY:CRT	80009	136-0489-00
-221	136-0304-02		1		. SOCKET,PLUG-IN:CRT,14 PIN SOCKET,W/PINS	80009	136-0304-02
-222	200-0917-01		1		. COV,ELECTRON TU:2.052 OD X 0.291" THK,PLSTC	80009	200-0917-01
-223	367-0117-00		1		. PULL,SOCKET:	80009	367-0117-00
-224	343-0235-00		1		. CLAMP,CRT SKT:DELTRIN	80009	343-0235-00
-225	210-0774-00		4		. EYELET,METALLIC:0.152 OD X 0.245 INCH L,BRS	80009	210-0774-00
-226	210-0775-00		4		. EYELET,METALLIC:0.126 OD X 0.23 INCH L,BRS	80009	210-0775-00
-227	131-0707-00		14		CONNECTOR,TERM.:22-26 AWG,BRS& CU BE GOLD	22526	47439
-228	352-0197-00		2		. CONN BODY,PL,EL:1 WIRE BLACK	80009	352-0197-00
-229	352-0162-00		3		. HLDR,TERM CONN:4 WIRE BLACK	80009	352-0162-00
-230	352-0165-00		1		. CONN BODY,PL,EL:7 WIRE BLACK	80009	352-0165-00
	198-2786-00		1		WIRE SET,ELEC:HORIZONTAL OUTPUT AMP BOARD	80009	198-2786-00
	131-1119-00		4		. CONTACT,ELEC:FOR NO. 22-26 AWG WIRE - (THESE PINS ARE FOR THE CRT DEFL LEADS)	22526	75374-001
-231	348-0276-00		FT		SHLD GSKT,ELEC:0.026 OD NPRNW/WIRE NET CO	28817	01-0404-3719
-232	179-1737-00		1		WIRING HARNESS,:DELAY LINE - (485 ONLY)	80009	179-1737-00
-233	131-0621-00		2		. CONNECTOR,TERM:22-26 AWG,BRS& CU BE GOLD	22526	46231
	210-0774-00		4		. EYELET,METALLIC:0.152 OD X 0.245 INCH L,BRS	80009	210-0774-00
	210-0775-00		4		. EYELET,METALLIC:0.126 OD X 0.23 INCH L,BRS	80009	210-0775-00
	352-0197-00		2		. CONN BODY,PL,EL:1 WIRE BLACK	80009	352-0197-00
	179-1738-00		1		WIRING HARNESS,:POT CABLE	80009	179-1738-00
	131-0707-00		10		CONNECTOR,TERM.:22-26 AWG,BRS& CU BE GOLD	22526	47439
	352-0197-00		1		. CONN BODY,PL,EL:1 WIRE BLACK	80009	352-0197-00
	179-1734-00		1		WIRING HARNESS,:MAIN	80009	179-1734-00
	131-0707-00		94		. CONNECTOR,TERM.:22-26 AWG,BRS& CU BE GOLD	22526	47439
	131-0621-00		1		. CONNECTOR,TERM:22-26 AWG,BRS& CU BE GOLD	22526	46231
	210-0774-00		4		. EYELET,METALLIC:0.152 OD X 0.245 INCH L,BRS	80009	210-0774-00
	210-0775-00		4		. EYELET,METALLIC:0.126 OD X 0.23 INCH L,BRS	80009	210-0775-00
-234	352-0169-00		1		. HLDR,TERM CONN:2 WIRE BLACK	80009	352-0169-00
-235	352-0161-00		1		. HLDR,TERM CONN:3 WIRE BLACK	80009	352-0161-00
	352-0162-00		1		. HLDR,TERM CONN:4 WIRE BLACK	80009	352-0162-00
-236	352-0163-00		2		. CONN BODY,PL,EL:5 WIRE BLACK	80009	352-0163-00
-237	352-0164-00		4		. CONN BODY,PL,EL:6 WIRE BLACK	80009	352-0164-00
	352-0165-00		3		. CONN BODY,PL,EL:7 WIRE BLACK	80009	352-0165-00
-238	352-0168-00		3		. CONN BODY,PL,EL:10 WIRE BLACK	80009	352-0168-00
	352-0197-00		1		. CONN BODY,PL,EL:1 WIRE BLACK	80009	352-0197-00
-239	378-0664-00		1		FILTER,LT CRT:BLUE PLEXI	80009	378-0664-00
-240	354-0248-00		1		HOLDER,LT FIL:CRT	80009	354-0248-00
-241	214-0996-00		1		SPRING,FLAT:GROUNDING,CRT MESH FILTER	80009	214-0996-00
	198-2074-00		1		WIRE SET,ELEC:FINAL ASSY KIT	80009	198-2074-00
-242	407-1022-00		1		BRACKET,ANGLE:SWITCH MTG,ALUMINUM	80009	407-1022-00

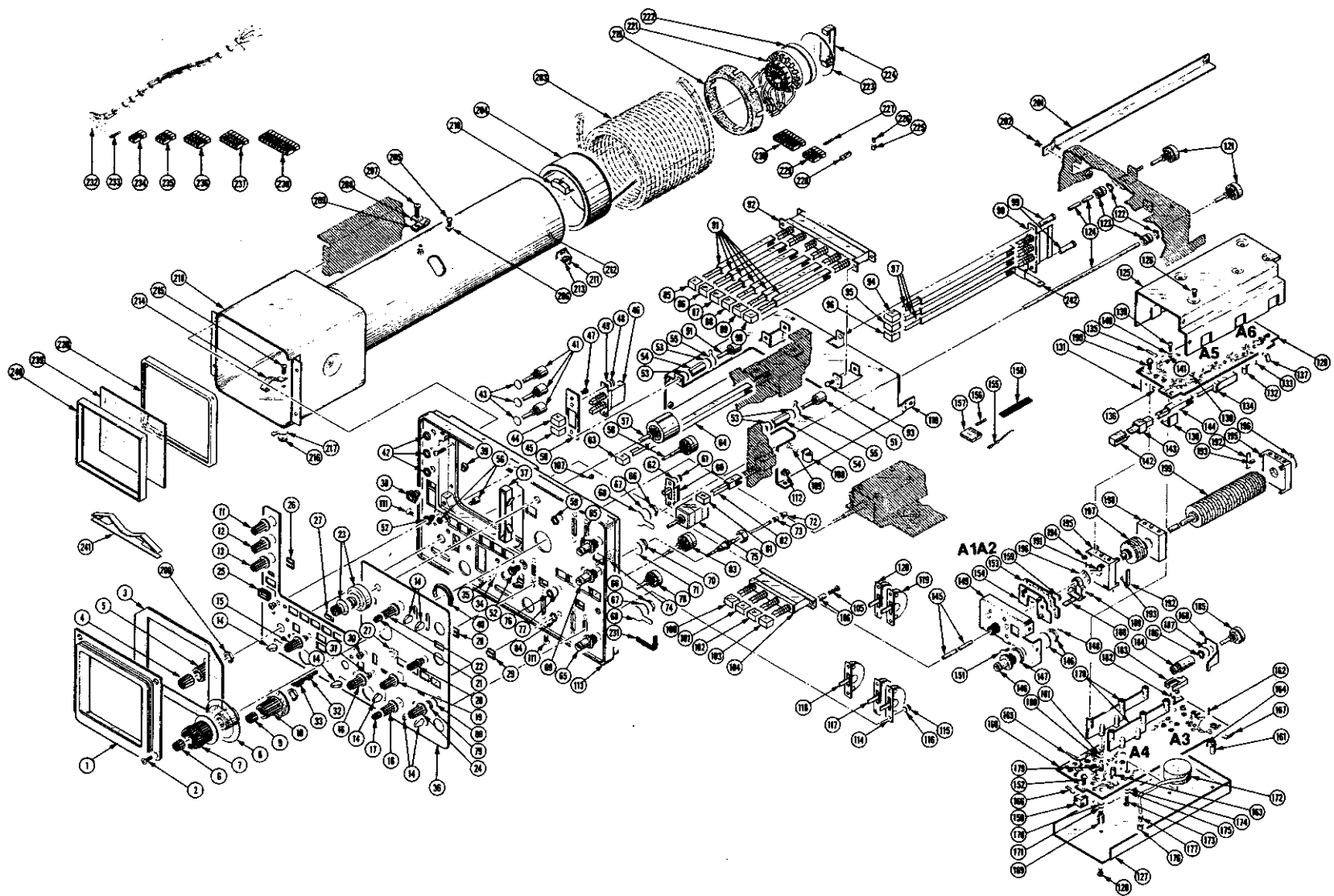


FIG. 2 CHASSIS & REAR

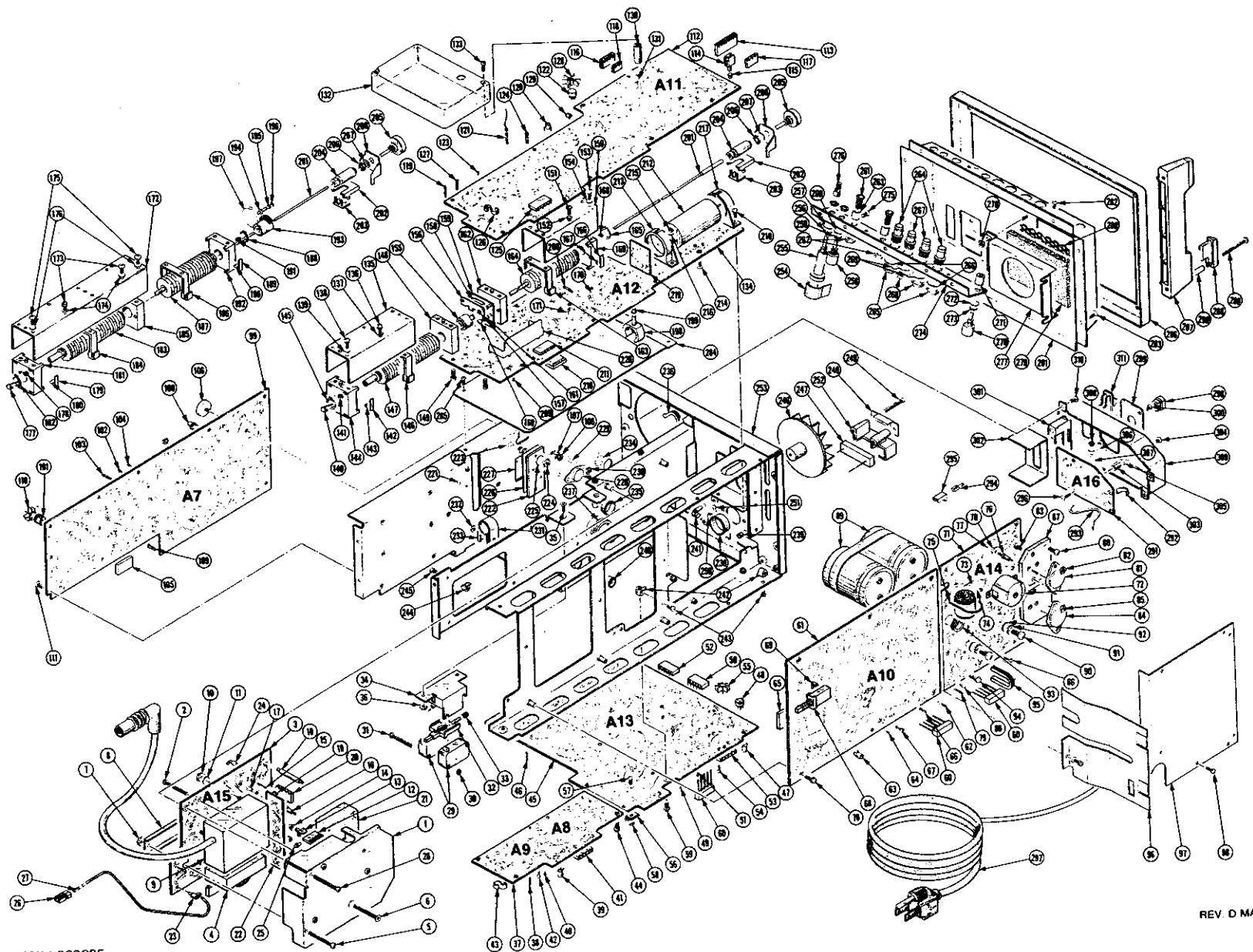


Fig. & Index No.	Tektronix Part No.	Serial/Model No. Eff	Dscont	Qty	1 2 3 4 5	Name & Description	Mfr Code	Mfr Part Number
2-1	337-1495-00	B010100	B049999	1		SHIELD,ELEC:HIGH VOLTAGE	80009	337-1495-00
	337-1495-01	B050000		1		SHIELD,ELEC:HIGH VOLTAGE SUPPLY (ATTACHING PARTS)	80009	337-1495-01
-2	211-0021-00			2		SCREW,MACHINE:4-40 X 1.25 INCH,PNH STL - - - * - - -	83385	OBD
	348-0056-00	XB050000		1		GROMMET,PLASTIC:0.375 INCH DIA	80009	348-0056-00
-3	-----	-----		1		CKT BOARD ASSY:TRANSFORMER(SEE A15 EPL)		
-4	120-0787-00			1		. TRANSFORMER:POWER (ATTACHING PARTS)	80009	120-0787-00
-5	211-0553-00			1		. SCREW,MACHINE:6-32 X 1.5 INCH,PNH STL	83385	OBD
-6	211-0619-00			1		. SCREW,MACHINE:6-32 X 1.5 INCH,FLH STL	83385	OBD
-7	210-0457-00			2		NUT,PLAIN,EXT W:6-32 X 0.312 INCH,STL	83385	OBD
-8	346-0095-00			1		. STRAP,RETAINING:XFMR - - - * - - -	80009	346-0095-00
-9	152-0509-00			1		. SEMICOND DEVICE:V MULTR,3KV IN,18KV OUT (ATTACHING PARTS)	80009	152-0509-00
-10	210-0458-00			3		. NUT,PLAIN,EXT W:8-32 X 0.344 INCH,STL	83385	OBD
-11	210-0804-00			3		. WASHER,FLAT:0.17 ID X 0.375 INCH OD,STL - - - * - - -	12327	OBD
-12	124-0162-00			2		. TERMINAL BOARD:4 NOTCH,CERAMIC,STUD MTD	80009	124-0162-00
-13	355-0046-00			1		. . MOUNT,TERM. BD:0.577 INCH H (ATTACHING PARTS)	80009	355-0046-00
-14	361-0007-00			1		. SPACER,SLEEVE:0.250 INCH DIA,PLASTIC - - - * - - -	80009	361-0007-00
-15	131-0589-00			2		. TERM,PIN:0.46 L X 0.025 SQ,PH BRZ GL	22526	47350
-16	131-0809-00			1		. TERMINAL,STUD:PNL MT,4-40 TAP 1 END (ATTACHING PARTS)	71279	570-1510-01-0519
-17	211-0005-00			1		. SCREW,MACHINE:4-40 X 0.125 INCH,PNH STL - - - * - - -	83385	OBD
-18	129-0072-00			1		. INSULATOR,STDF:0.938 INCH LONG	80009	129-0072-00
	131-0309-00			1		. . TERMINAL,STUD:0.415 INCH LONG	88245	421572-02-9
	124-0119-00			1		. TERMINAL BOARD:2 NOTCH,CERAMIC,CLIP MTD	80009	124-0119-00
	355-0046-00			1		. . MOUNT,TERM. BD:0.577 INCH H (ATTACHING PARTS)	80009	355-0046-00
	361-0007-00			1		. SPACER,SLEEVE:0.250 INCH DIA,PLASTIC - - - * - - -	80009	361-0007-00
	124-0092-00			1		. TERMINAL BOARD:3 NOTCH,CERAMIC,CLIP MTD	80009	124-0092-00
	355-0046-00			1		. . MOUNT,TERM. BD:0.577 INCH H (ATTACHING PARTS)	80009	355-0046-00
	361-0007-00			1		. SPACER,SLEEVE:0.250 INCH DIA,PLASTIC - - - * - - -	80009	361-0007-00
-19	136-0328-02	B010100	B142955	2		. SOCKET,PIN TERM:HORIZONTAL	00779	86282-2
	136-0328-03	B142956		2		. SOCKET,PIN TERM:HORIZ,SQ PIN RCPT	22526	47710
-20	136-0461-00			8		. SKT,PL-IN ELEC:CKT CARD CONTACT	80009	136-0461-00
	343-0043-00			3		. CLAMP,LOOP:#20,NEON BULBS	80009	343-0043-00
-21	200-1485-00			1		. COVER,CKT BD:XFMR-MULT (ATTACHING PARTS)	80009	200-1485-00
	213-0088-00			2		. SCR,TPG,THD CTG:4-24 X 0.25 INCH,PNH STL - - - * - - -	83385	OBD
-22	388-2476-00			1		. CKT BOARD:HV	80009	388-2476-00
	343-0144-00	B010100	B049999	1		. CLAMP,LOOP:0.125 INCH ID,BLK NYLON	95987	1-8-2
-23	343-0444-00	B050000		1		. CLAMP,LOOP:0.125 INCH ID (ATTACHING PARTS)	95987	1-8-2
	211-0008-00	B010100	B049999X	1		. SCREW,MACHINE:4-40 X 0.25 INCH,PNH STL	83385	OBD
	210-0801-00	B010100	B049999X	1		. WASHER,FLAT:0.14 ID X 0.281 OD NP STL	12327	OBD
	210-0586-00	B010100	B049999X	1		. NUT,PLAIN,EXT W:4-40 X 0.25 INCH,STL - - - * - - -	78189	211-041800-00
	343-0088-00	B010100	B010126	4		. CLAMP,LOOP:0.062 INCH DIA	80009	343-0088-00
-24	343-0088-00	B010127		3		. CLAMP,LOOP:0.062 INCH DIA	80009	343-0088-00
	343-0213-00	B010127		1		. CLAMP,LOOP:PRESS MT,PLASTIC	80009	343-0213-00
-25	386-1556-00			1		. SUPPORT,CKT BD:0.215 H,ACETAL	80009	386-1556-00
	198-2784-00			1		. WIRE SET ELEC:TRANSFORMER MULTIPLIER BOARD	80009	198-2784-00
	352-0171-00			4		. . HLDR,TERM CONN:1 WIRE BLACK	80009	352-0171-00

Replaceable Mechanical Parts—485

Fig. & Index No.	Tektronix Part No.	Serial/Model No. Eff	Discont	Qty	1 2 3 4 5	Name & Description	Mfr Code	Mfr Part Number
2-	337-1665-00	B010100	B049999	1		SHIELD,ELEC:INVERTER	80009	337-1665-00
-96	337-1850-00	B505000		1		SHIELD,ELEC:INVERTER,SIDE	80009	337-1850-00
-97	337-1665-01	B050000		1		SHIELD,ELEC:INVERTER, TOP (ATTACHING PARTS)	80009	337-1665-01
-98	211-0007-00			4		SCREW,MACHINE:4-40 X 0.188 INCH,PNH STL - - - * - - -	83385	OBD
-99	-----			1		CKT BOARD ASSY:VERTICAL(SEE A7 EPL)		
	131-0589-00			1		. TERM,PIN:0.46 L X 0.025 SQ.PH BRZ GL	22526	47350
	131-0608-00			28		. TERMINAL,PIN:0.365 L X 0.25 PH,BRZ,GOLD PL	22526	47357
-100	131-1003-00			11		. CONN,RCPT,ELEC:CKT BD MT,3 PRONG	80009	131-1003-00
-101	136-0183-00			1		. SOCKET,PLUG-IN:3 PIN,ROUND	80009	136-0183-00
	136-0252-04	B010100	B091529	256		. SOCKET,PIN TERM:U/W 0.016-0.018 DIA PINS	22526	75060-007
-102	136-0252-04	B091530		212		. SOCKET,PIN TERM:U/W 0.016-0.018 DIA PINS	22526	75060-007
	136-0220-00	B091530		14		. SKT,PL-IN ELEK:TRANSISTOR 3 CONTACT,PCB MT	71785	133-23-11-034
	136-0514-00	B091530		1		. SKT,PL-IN ELEK:MICROCIRCUIT,8 DIP	73803	CS9002-8
	136-0263-03	B010100	B142799	1		. SOCKET,PIN TERM:U/W 0.025 SQ PINS	00779	86250-2
-103	136-0263-04	B142780		1		. SOCKET,PIN TERM:U/W 0.025 SQ PINS	22526	48059
-104	136-0352-00			8		. SKT,PL-IN ELEK:FOR 0.02 INCH DIAMETER PIN	00779	50462-7
-105	136-0461-00			3		. SKT,PL-IN ELEK:CIRCUIT BD,5 CONTACT	80009	136-0461-00
-106	-----			1		. MICROCIRCUIT:(SEE U332 EPL) (ATTACHING PARTS)		
-107	210-0551-00			1		. NUT,PLAIN,HEX.:4-40 X 0.25 INCH,STL	83385	OBD
-108	210-1115-00			1		. WASHER,NONMETAL:0.27 ID X 0.37" OD,TEFLON - - - * - - -	86445	OBD
-109	214-0579-00			12		. TERM,TEST POINT:BRS CD PL	80009	214-0579-00
-110	214-1292-00			1		. HEAT SINK,ELEC:TRANSISTOR	05820	205-AB
	198-2785-00			1		. WIRE SET,ELEC:VERTICAL BOARD (ATTACHING PARTS)	80009	198-2785-00
-111	211-0207-00			14		SCR,ASSEM WSHR:4-40 X 0.312 DOUBLE SEMS - - - * - - -	83385	OBD
112	-----			1		CKT BOARD ASSY:HORIZONTAL AMP(SEE A11 EPL)		
-113	124-0158-00			1		. TERMINAL BOARD:7 NOTCH,MINI	80009	124-0158-00
-114	355-0046-00			2		. . MOUNT,TERM. BD:0.577 INCH H (ATTACHING PARTS)	80009	355-0046-00
-115	361-0007-00			2		. SPACER,SLEEVE:0.250 INCH DIA,PLASTIC - - - * - - -	80009	361-0007-00
-116	124-0120-00			1		. TERMINAL STRIP:4 NOTCH	80009	124-0120-00
	355-0046-00			2		. . MOUNT,TERM. BD:0.577 INCH H (ATTACHING PARTS)	80009	355-0046-00
	361-0007-00			2		. SPACER,SLEEVE:0.250 INCH DIA,PLASTIC - - - * - - -	80009	361-0007-00
-117	124-0092-00			1		. TERMINAL BOARD:3 NOTCH,CERAMIC,CLIP MTD	80009	124-0092-00
	355-0046-00			1		. . MOUNT,TERM. BD:0.577 INCH H (ATTACHING PARTS)	80009	355-0046-00
	361-0007-00			1		. SPACER,SLEEVE:0.250 INCH DIA,PLASTIC - - - * - - -	80009	361-0007-00
-118	124-0119-00			1		. TERMINAL BOARD:2 NOTCH,CERAMIC,CLIP MTD	80009	124-0119-00
	355-0046-00			1		. . MOUNT,TERM. BD:0.577 INCH H (ATTACHING PARTS)	80009	355-0046-00
	361-0007-00			1		. SPACER,SLEEVE:0.250 INCH DIA,PLASTIC - - - * - - -	80009	361-0007-00
-119	131-0589-00			4		. TERM,PIN:0.46 L X 0.025 SQ.PH BRZ GL	22526	47350
	131-0608-00			19		. TERMINAL,PIN:0.365 L X 0.25 PH,BRZ,GOLD PL	22526	47357
	131-0787-00			2		. CONTACT,ELEC:0.64 INCH LONG	22526	47359
-120	131-1003-00			4		. CONN,RCPT,ELEC:CKT BD MT,3 PRONG	80009	131-1003-00
-121	131-1119-00			2		. CONTACT,ELEC:FOR NO. 22-26 AWG WIRE	22526	75374-001
-122	136-0183-00			4		. SOCKET,PLUG-IN:3 PIN,ROUND	80009	136-0183-00
	136-0252-04	B010100	B091529	139		. SOCKET,PIN TERM:U/W 0.016-0.018,DIA PINS	22526	75060-007
	136-0252-04	B091530	B142055	113		. SOCKET,PIN TERM:U/W 0.016-0.018 DIA PINS	22526	75060-007
-123	136-0252-04	B142056		116		. SOCKET,PIN TERM:U/W 0.016-0.018 DIA PINS	22526	56060-007
	136-0220-00	B091530	B142055	6		. SKT,PL-IN ELEK:TRANSISTOR 3 CONTACT,PCB MT	71785	133-23-11-034
	136-0220-00	B142056		5		. SKT,PL-IN ELEK:TRANSISTOR 3 CONTACT,PCB MT	71785	133-23-11-034
	136-0514-00	B091530		1		. SKT,PL-IN ELEK:MICROCIRCUIT,8 DIP	73803	CS9002-8
-124	136-0327-01	B010100	B142799	12		. SOCKET,PIN TERM:0.067 INCH DIA	00779	86281-2
	136-0263-04	B142800		12		. SOCKET,PIN TERM:U/W 0.025 SQ PIN	22526	48059

Fig. & Index No.	Tektronix Part No.	Serial/Model No. Eff	Dscont	Qty	1	2	3	4	5	Name & Description	Mfr Code	Mfr Part Number
2-125	136-0461-00			4	.	SKT, PL-IN ELEC: CIRCUIT BD, 5 CONTACT					80009	136-0461-00
-126	200-1167-00			1	.	COVER, XSTR: TEMP STAB FOR 2 TO-18 CS STYLE					80009	200-1167-00
-127	214-0579-00			23	.	TERM, TEST POINT: BRS CD PL					80009	214-0579-00
-128	214-1292-00			4	.	HEAT SINK, ELEC: TRANSISTOR					05820	205-AB
-129	343-0043-00			2	.	CLAMP, LOOP: #20, NEON BULBS					80009	343-0043-00
-130	384-0531-00			2	.	ROD, SPACER: 0.25 OD X 0.656 INCH LONG					80009	384-0531-00
						(ATTACHING PARTS)						
-131	211-0097-00			1	.	SCREW, MACHINE: 4-40 X 0.312 INCH, PNH STL					83385	OBD
	210-0004-00			1	.	WASHER, LOCK: #4 INTL, 0.015THK, STL CD PL					78189	1204-00-00-0541C
						-----*						
	211-0007-00			8	.	SCREW, MACHINE: 4-40 X 0.188 INCH, PNH STL					83385	OBD
						-----*						
-132	337-1500-00			1	.	SHIELD, CKT BD: Z AXIS ON B TRIG HORIZ					80009	337-1500-00
						(ATTACHING PARTS)						
-133	211-0007-00			2	.	SCREW, MACHINE: 4-40 X 0.188 INCH, PNH STL					83385	OBD
						-----*						
	672-0604-00	XB155000		1	.	CKT BOARD ASSY: TIME/CM					80009	672-0604-00
	334-3448-00	XB156050		1	.	MARKER, IDENT: MARKED NOTICE					80009	334-3448-00
-134	-----			1	.	CKT BOARD ASSY: SWEEP TIMING (SEE A12 EPL)						
	105-0281-00	B010100	B049999	1	.	ACTR ASSY CAM S: TIME/CM A SWP					80009	105-0281-00
-135	200-1275-00	B010100	B049999	1	.	COVER, CAM SW:					80009	200-1275-00
						(ATTACHING PARTS)						
-136	211-0022-00	B010100	B049999	2	.	SCREW, MACHINE: 2-56 X 0.188 INCH, PNH STL					83385	OBD
-137	210-0001-00	B010100	B049999	2	.	WASHER, LOCK: INTL, 0.092 ID X 0.18"OD, STL					78189	1202-00-00-0541C
-138	211-0008-00	B010100	B049999	4	.	SCREW, MACHINE: 4-40 X 0.25 INCH, PNH STL					83385	OBD
-139	210-0004-00	B010100	B049999	4	.	WASHER, LOCK: #4 INTL, 0.015THK, STL CD PL					78189	1204-00-00-0541C
						-----*						
-140	131-0963-00	B010100	B049999	1	.	CONTACT, ELEC: GROUNDING					000EX	OBD
-141	210-0406-00	B010100	B049999	3	.	NUT, PLAIN, HEX: 4-40 X 0.188 INCH, BRS					73743	2X12161-402
-142	214-1139-02	B010100	B049999	1	.	SPRING, FLAT: GREEN COLORED					80009	214-1139-02
	214-1139-03	B010100	B049999	1	.	SPRING, FLAT: RED COLORED					80009	214-1139-03
-143	214-1127-00	B010100	B049999	2	.	ROLLER, DETENT: 0.125 DIA X 0.125 INCH L					80009	214-1127-00
-144	401-0081-02	B010100	B049999	1	.	BEARING, CAM SW: FRONT					80009	401-0081-02
						(ATTACHING PARTS)						
-145	354-0391-00	B010100	B049999	1	.	RING, RETAINING: 0.395"FREE ID X 0.025" STL					97464	3100-43-CD
						-----*						
-146	407-0926-00	B010100	B049999	1	.	BRACKET, COVER: CAM SWITCH, ALUMINUM					80009	407-0926-00
-147	105-0277-00	B010100	B049999	1	.	ACTR ASSY, CAM S: TIME/CM A					80009	105-0277-00
	210-0406-00	B010100	B049999	4	.	NUT, PLAIN, HEX: 4-40 X 0.188 INCH, BRS					73743	2X12161-402
-148	401-0146-01	B010100	B049999	1	.	BEARING, CAM SW: CENTER					80009	401-0146-01
						(ATTACHING PARTS)						
-149	211-0116-00	B010100	B049999	4	.	SCR, ASSEM WSHR: 4-40 X 0.312 INCH, PNH BRS					83385	OBD
	211-0180-00	B010100	B049999	2	.	SCR, ASSEM WSHR: 2-56 X 0.25 INCH, PNH BRS					83385	OBD
						-----*						
	105-0335-00	B010100	B049999	1	.	ACTR ASSY CAM S: TIME/CM, B SWP					80009	105-0335-00
-150	200-1355-00	B010100	B049999	1	.	COVER, CAM SW:					80009	200-1355-00
						(ATTACHING PARTS)						
-151	211-0022-00	B010100	B049999	2	.	SCREW, MACHINE: 2-56 X 0.188 INCH, PNH STL					83385	OBD
-152	210-0001-00	B010100	B049999	2	.	WASHER, LOCK: INTL, 0.092 ID X 0.18"OD, STL					78189	1202-00-00-0541C
-153	211-0008-00	B010100	B049999	4	.	SCREW, MACHINE: 4-40 X 0.25 INCH, PNH STL					83385	OBD
-154	210-0004-00	B010100	B049999	4	.	WASHER, LOCK: #4 INTL, 0.015THK, STL CD PL					78189	1204-00-00-0541C
						-----*						
-155	105-0280-01	B010100	B049999	1	.	STOP, KNOB PULL: W/BUSHING					80009	105-0280-01
	213-0153-00	B010100	B049999	2	.	SETSCREW: 5-40 X 0.125, STL BD OXD, HEX					000CY	OBD
-156	105-0279-00	B010100	B049999	1	.	STOP, KNOB PULL: STATIONARY					80009	105-0279-00
						(ATTACHING PARTS)						
-157	354-0350-00	B010100	B049999	2	.	RING, RETAINING: 0.073"FREE ID X 0.015", STL					79136	5133-9MD
						-----*						
-158	214-1705-00	B010100	B049999	1	.	SPRING, FLAT: STOP PLATE, CAM SWITCH					80009	214-1705-00
-159	386-2211-00	B010100	B049999	1	.	SPRT, STOP PLATE: CAM SWITCH					80009	386-2211-00
						(ATTACHING PARTS)						
-160	211-0022-00	B010100	B049999	2	.	SCREW, MACHINE: 2-56 X 0.188 INCH, PNH STL					83385	OBD
-161	210-0001-00	B010100	B049999	2	.	WASHER, LOCK: INTL, 0.092 ID X 0.18"OD, STL					78189	1202-00-00-0541C
						-----*						

Replaceable Mechanical Parts—485

Fig. & Index No.	Tektronix Part No.	Serial/Model No. Eff	Dscont	Qty	1	2	3	4	5	Name & Description	Mfr Code	Mfr Part Number
2-	210-0406-00	B010100	B049999	4	NUT,PLAIN,HEX.:4-40 X 0.188 INCH,BRS	73743	2X12161-402
-162	401-0081-02	B010100	B049999	1	BEARING,CAM SW:FRONT	80009	401-0081-02
-163	407-0926-00	B010100	B049999	1	BRACKET,COVER:CAM SWITCH,ALUMINUM	80009	407-0926-00
-164	105-0278-00	B010100	B049999	1	ACTUATOR,CAM SW:TIME/CM B (ATTACHING PARTS)	80009	105-0278-00
-165	354-0391-00	B010100	B049999	1	RING,RETAINING:0.395"FREE ID X 0.025" STL	97464	3100-43-CD
-166	214-1139-02	B010100	B049999	1	SPRING,FLAT:GREEN COLORED	80009	214-1139-02
	214-1139-03	B010100	B049999	1	SPRING,FLAT:RED COLORED	80009	214-1139-03
-167	214-1127-00	B010100	B049999	2	ROLLER,DETENT:0.125 DIA X 0.125 INCH L	80009	214-1127-00
-168	210-0406-00	B010100	B049999	4	NUT,PLAIN,HEX.:4-40 X 0.188 INCH,BRS	73743	2X12161-402
-169	401-0146-01	B010100	B049999	1	BEARING,CAM SW:CENTER (ATTACHING PARTS)	80009	401-0146-01
-170	211-0116-00	B010100	B049999	4	SCR,ASSEM WSHR:4-40 X 0.312 INCH,PNH BRS	83385	OBD
-171	211-0180-00	B010100	B049999	2	SCR,ASSEM WSHR:2-56 X 0.25 INCH,PNH BRS (ATTACHING PARTS)	83385	OBD
	131-0963-00	XB155000		1	CONTACT,ELEC:GROUNDING	000EX	OBD
	105-0470-00	B050000	B154999	1	ACTR ASSY CAM S:TIME/CM	80009	105-0470-00
	263-1155-00	B155000		1	SW CAM ACTR AS: (ATTACHING PARTS)	80009	263-1155-00
	211-0116-00	B050000	B154999	6	SCR,ASSEM WSHR:4-40 X 0.312 INCH,PNH BRS	83385	OBD
	211-0244-00	B155000		4	SCR,ASSEM WSHR:4-40 X 0.312 INCH,PNH STL	78189	OBD
	211-0180-00	B055000		6	SCR,ASSEM WSHR:2-56 X 0.25 INCH,PNH BRS (ATTACHING PARTS)	83385	OBD
-172	200-1551-00	B050000		1	ACTR ASSY INCLUDES: COVER,CAM SW: (ATTACHING PARTS)	80009	200-1551-00
-173	211-0022-00	B050000		4	SCREW,MACHINE:2-56 X 0.188 INCH,PNH STL	83385	OBD
-174	210-0001-00	B050000		4	WASHER,LOCK:INTL,0.092 ID X 0.18"OD,STL	78189	1202-00-00-0541C
-175	211-0008-00	B050000		6	SCREW,MACHINE:4-40 X 0.25 INCH,PNH STL	83385	OBD
-176	210-0004-00	B050000		6	WASHER,LOCK:#4 INTL,0.015THK,STL CD PL	78189	1204-00-00-0541C
-177	131-0963-00	B050000		1	CONTACT,ELEC:GROUNDING	000EX	OBD
-178	210-0406-00	B050000		3	NUT,PLAIN,HEX.:4-40 X 0.188 INCH,BRS	73743	2X12161-402
-179	214-1139-02	B050000		1	SPRING,FLAT:GREEN COLORED	80009	214-1139-02
	214-1139-03	B050000		1	SPRING,FLAT:RED COLORED	80009	214-1139-03
	214-1416-00	XB155000		1	SPRING,HLCPS:0.176 OD X 0.835 INCH LONG	27143	OBD
-180	214-1127-00	B050000	B154999	2	ROLLER,DETENT:0.125 DIA X 0.125 INCH L	80009	214-1127-00
-181	401-0081-02	B050000	B154999	1	BEARING,CAM SW:FRONT	80009	401-0081-02
	401-0204-00	B155000		1	BEARING,CAM SW:FRONT,0.83 DIA CAM DOUBLE	80009	401-0204-00
	214-1752-00	B155000		2	ROLLER,DETENT: (ATTACHING PARTS)	80009	214-1752-00
-182	354-0391-00	B050000	B154999	1	RING,RETAINING:0.395"FREE ID X 0.025" STL	97464	3100-43-CD
	354-0390-00	B155000		1	RING,RETAINING:0.338 ID X 0.025" THK,STL	79136	5100-37MD
-183	105-0277-00	B050000	B154999	1	ACTUATOR,CAM SW:TIME/CM A	80009	105-0277-00
	105-0277-01	B155000		1	ACTUATOR,CAM SW:TIME/CM A DRUM TYPE	80009	105-0277-01
-184	407-0926-00	B050000		1	BRACKET,COVER:CAM SWITCH,ALUMINUM	80009	407-0926-00
	210-0406-00	B050000		4	NUT,PLAIN,HEX.:4-40 X 0.188 INCH,BRS	73743	2X12161-402
-185	401-0115-00	B050000	B154999	1	BEARING,CAM SW:CENTER	80009	401-0115-00
	401-0178-01	B155000		1	BEARING,CAM SW:CENTER/REAR	80009	401-0178-01
-186	407-0926-00	B050000		1	BRACKET,COVER:CAM SWITCH,ALUMINUM	80009	407-0926-00
-187	105-0471-00	B050000	B154999	1	ACTUATOR,CAM SW:TIME/CM B	80009	105-0471-00
	105-0471-01	B155000		1	ACTUATOR,CAM SW:TIME/CM B DRUM TYPE (ATTACHING PARTS)	80009	105-0471-01
-188	354-0391-00	B050000	B154999	1	RING,RETAINING:0.395"FREE ID X 0.025" STL	97464	3100-43-CD
	354-0392-00	B155000		1	RING,RETAINING: (ATTACHING PARTS)	79136	5555-12MD
-189	214-1139-02	B050000		1	SPRING,FLAT:GREEN COLORED	80009	214-1139-02
	214-1139-03	B050000		1	SPRING,FLAT:RED COLORED	80009	214-1139-03
-190	214-1127-00	B050000	B154999	2	ROLLER,DETENT:0.125 DIA X 0.125 INCH L	80009	214-1127-00
	214-1752-00	B155000		2	ROLLER,DETENT:	80009	214-1752-00
-191	210-0406-00	B050000		4	NUT,PLAIN,HEX.:4-40 X 0.188 INCH,BRS	73743	2X12161-402
-192	401-0081-04	B050000	B154999	1	BEARING,CAM SW:W/INSERT	80009	401-0081-04
	401-0204-01	B155000		1	BEARING,CAM SW:W/INSERT	80009	401-0204-01

Fig. & Index No.	Tektronix Part No.	Serial/Model No. Eff Dscont	Qty	1	2	3	4	5	Name & Description	Mfr Code	Mfr Part Number
2-	401-0180-00	XB155000	1	BEARING,CAM SW:FRONT	80009	401-0180-00
	105-0410-00	B050000 B154999	1	STOP,RTRY,SHAFT:CAM SW DRUM	80009	105-0410-00
	105-0449-00	B155000	1	STOP ASSY,CAM:CAM SWITCH ACTUATOR	80009	105-0449-00
-193	352-0350-00	B050000 B154999	1	HOLDER,STOP PIN:	000DX	OBD
	352-0349-00	B155000	1	HOLDER,STOP PIN:ZAMAK	000DX	OBD
	213-0048-00	B050000	1	SETSCREW:4-40 X 0.125 INCH,HEX SOC STL	74445	OBD
-194	105-0409-00	B050000	1	STOP,SHAFT:CAM SW DRUM	80009	105-0409-00
-195	361-0535-00	B050000	1	SPACER,RING:0.130 ID X 0.18 INCH OD	80009	361-0535-00
-196	354-0291-00	B050000	1	RING,RETAINING:	97464	2000-12CD
-197	214-1812-00	B050000	1	HLCL,TRSN:0.832 OD,LOOP ENDS,MUW	80009	214-1812-00
	384-0878-16	XB150000	1	SHAFT,CAM SW:OUTER,CONC W/DRVR,TIME/CM	80009	384-0878-16
	384-0882-05	XB150000	1	SHAFT,CAM SW:7.922 L,0.125 OD	80009	384-0882-05
-198	344-0244-00		2	CLIP,CMPNT MTG:U/W 0.75 DIA CMPNT (ATTACHING PARTS)	80009	344-0244-00
-199	361-0007-00		1	SPACER,SLEEVE:0.250 INCH DIA,PLASTIC - - - * - - -	80009	361-0007-00
-200	131-0604-00		52	CONTACT,ELEC:CKT BD SW,SPR,CU BE	80009	131-0604-00
-201	384-0405-00		1	EXTENSION SHAFT:7.831 INCH LONG	80009	384-0405-00
	384-1203-00	XB150000	1	EXTENSION SHAFT:9.1 L X 0.081 OD SST	80009	384-1203-00
-202	351-0180-00		1	SLIDE,GUIDE:SWITCH ACTUATOR	80009	351-0180-00
-203	214-1136-00		1	ACTUATOR,SL SW:DUAL DPST	80009	214-1136-00
	214-1190-00	B010100 B049999	1	CPLG,SHAFT,RGD:0.125 OD TO 0.125 OD,AL	80009	214-1190-00
-204	214-1190-02	B050000	1	CPLG,SHAFT,RGD:0.125 OD TO 0.081 OD,AL	80009	214-1190-02
	213-0075-00		1	SETSCREW:4-40 X 0.094 INCH,HEX SOC STL	000BK	OBD
	213-0239-00		1	SETSCREW:3-48 X 0.062 INCH,HEX SOC STL	71159	OBD
-205	-----		1	RES.,VAR:(SEE R1400 EPL) (ATTACHING PARTS)		
-206	210-0583-00		1	NUT,PLAIN,HEX.:0.25-32 X 0.312 INCH,BRS	73743	2X20224-402
207	210-0046-00		1	WASHER,LOCK:INTL,0.26 ID X 0.40" OD,STL - - - * - - -	78189	1214-05-00-0541C
-208	407-0803-00		1	BRACKET,ELEC SW:BRASS	80009	407-0803-00
-209	136-0252-04		3	SOCKET,PIN TERM:0.188 INCH LONG	22526	75060-007
-210	136-0269-02		1	SOCKET,PLUG-IN:14 CONTACT,LOW CLEARANCE	01295	C95140
-211	136-0461-00		6	SKT,PL-IN ELEC:CKT CARD CONTACT	80009	136-0461-00
-212	147-0035-00		1	MOTOR,DC:BRUSHLESS,10-15VDC,145MA	25088	1AD3001-0A
-213	426-0781-00		1	MOUNT,MOTOR: (ATTACHING PARTS)	80009	426-0781-00
-214	211-0097-00		2	SCREW,MACHINE:4-40 X 0.312 INCH,PNH STL	83385	OBD
-215	210-0406-00		2	NUT,PLAIN,HEX.:4-40 X 0.188 INCH,BRS	73743	2X12161-402
-216	210-0004-00		2	WASHER,LOCK:#4 INTL,0.015THK,STL CD PL - - - * - - -	78189	1204-00-00-0541C
-217	426-0781-00		1	MOUNT,MOTOR: (ATTACHING PARTS)	80009	426-0781-00
-218	211-0008-00		2	SCREW,MACHINE:4-40 X 0.25 INCH,PNH STL - - - * - - -	83385	OBD
-219	388-2667-00		1	CKT BOARD:MOTOR INTERCONN	80009	388-2667-00
-220	337-0717-00		1	SHIELD,CKT BD:HORIZONTAL AMPLIFIER (ATTACHING PARTS)	80009	337-0717-00
	211-0207-00		6	SCR,ASSEM WSHR:4-40 X 0.312 DOUBLE SEMS - - - * - - -	83385	OBD
-221	386-2228-00		16	SUPPORT,CKT BD:PLASTIC	80009	386-2228-00
-222	-----		1	RES.,FXD:(SEE R691 EPL) (ATTACHING PARTS)		
-223	211-0559-00		2	SCREW,MACHINE:6-32 X 0.375"100 DEG,FLH STL	83385	OBD
-224	210-0457-00		2	NUT,PLAIN,EXT W:6-32 X 0.312 INCH,STL	83385	OBD
-225	210-0949-00		2	WASHER,FLAT:0.141 ID X 0.50 INCH OD,BRS - - - * - - -	12327	OBD
-226	386-2499-00		1	SUPPORT,SHIELD:TERMINATION	80009	386-2499-00
-227	337-1764-00		1	SHIELD,ELEC:TERMINATION	80009	337-1764-00
-228	260-0638-00		1	SW,THERMOSTATIC:10A,240V,OPEN 75 DEG C (ATTACHING PARTS)	93410	110-364
-229	211-0105-00		2	SCREW,MACHINE:4-40 X 0.188"100 DEG,FLH STL	83385	OBD
-230	210-0586-00		2	NUT,PLAIN,EXT W:4-40 X 0.25 INCH,STL - - - * - - -	78189	211-041800-00

Replaceable Mechanical Parts—485

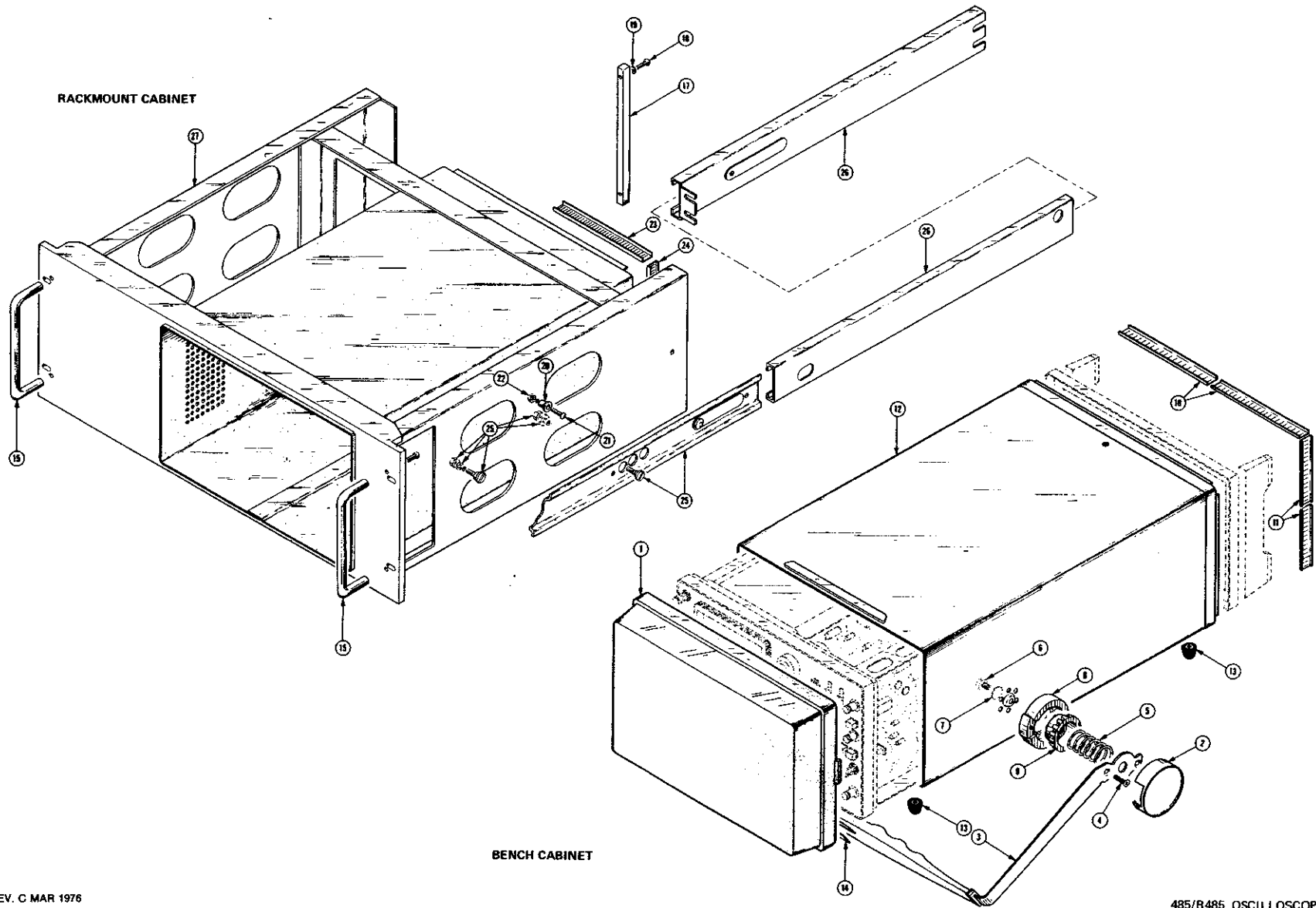
Fig. & Index No.	Tektronix Part No.	Serial/Model No. Eff Dscont	Qty	1	2	3	4	5	Name & Description	Mfr Code	Mfr Part Number
2-231	343-0006-00		1						CLAMP, LOOP: 0.50 INCH DIAMETER, PLSTC	95987	1-2-6B
	-----		-						(485 ONLY)		
	343-0003-00		1						CLAMP, LOOP: 0.25 INCH DIA	95987	1-4 6R
	-----		-						(485-1, 485-2 ONLY)		
									(ATTACHING PARTS)		
-232	210-0586-00		1						NUT, PLAIN, EXT W: 4-40 X 0.25 INCH, STL	78189	211-041800-00
-233	210-0863-00		1						WSHR, LOOP CLAMP: FOR 0.50" WIDE CLAMP, STL	95987	C191
									- - - * - - -		
-234	348-0063-00		2						GROMMET, PLASTIC: 0.50 INCH DIA	80009	348-0063-00
-235	348-0064-00		1						GROMMET, PLASTIC: 0.625 INCH DIA	80009	348-0064-00
-236	358-0215-00		1						GROMMET, PLASTIC: U SHAPED	80009	358-0215-00
-237	348-0051-00		1						GROMMET, RUBBER: 0.938 INCH DIA	83907	1107
-238	348-0050-00		1						GROMMET, PLASTIC: 0.75 INCH DIA	80009	348-0050-00
-239	348-0031-00	B010100 B079999X	2						GROMMET, PLASTIC: 0.156 INCH DIA	80009	348-0031-00
-240	348-0056-00		1						GROMMET, PLASTIC: 0.375 INCH DIA	80009	348-0056-00
-241	343-0213-00		3						CLAMP, LOOP: PRESS MT, PLASTIC	80009	343-0213-00
	343-0088-00		1						CLAMP, LOOP: 0.062 INCH DIA	80009	343-0088-00
-242	220-0547-01		15						NUT, BLOCK: 0.38 X 0.25 X 0.282" OA	80009	220-0547-01
									(ATTACHING PARTS)		
-243	211-0007-00		1						SCREW, MACHINE: 4-40 X 0.188 INCH, PNH STL	83385	OBD
									- - - * - - -		
-244	220-0547-01		4						NUT, BLOCK: 0.38 X 0.25 X 0.282" OA	80009	220-0547-01
									(ATTACHING PARTS)		
-245	211-0105-00		1						SCREW, MACHINE: 4-40 X 0.188" 100 DEG, FLH STL	83385	OBD
									- - - * - - -		
-246	369-0031-00	B010100 B079999	1						IMPLR, FAN, AXIAL: 2.60 INCH OD, PLASTIC	80009	369-0031-00
	369-0031-01	B080000 B142989	1						IMPLR, FAN, CENTR:	80009	369-0031-01
	369-0031-00	B142990	1						IMPLR, FAN, AXIAL: 2.60 INCH OD, PLASTIC	80009	369-0031-00
-247	149-0030-00	B010100 B079999X	1						METER, T TOTLZ: ELAPSED TIME, DC, CKT BD MT	18583	120-LC
-248	260-1300-00		1						SWITCH, SLIDE:	82389	46206LFE
									(ATTACHING PARTS)		
-249	211-0020-00		2						SCREW, MACHINE: 4-40 X 1.125 INCH, PNH STL	83385	OBD
-250	210-0586-00		2						NUT, PLAIN, EXT W: 4-40 X 0.25 INCH, STL	78189	211-041800-00
-251	210-0201-00		1						TERMINAL, LUG: SE #4	86928	A373-157-2
									- - - * - - -		
-252	380-0259-00		1						HSG, TIME METER:	80009	380-0259-00
-253	441-1051-00	B010100 B166649	1						CHAS, ELEC EQUIP: SUBPANEL ASSEMBLY	80009	441-1051-00
	441-1051-02	B166650	1						CHASSIS, SCOPE: SUBPANEL	80009	441-1051-02
									(ATTACHING PARTS)		
	211-0012-00		2						SCREW, MACHINE: 4-40 X 0.375 INCH, PNH STL	83385	OBD
	211-0541-00		2						SCREW, MACHINE: 6-32 X 0.25" 100 DEG, FLH STL	83385	OBD
									- - - * - - -		
	210-0659-01		8						EYELET, METALLIC: 0.121 OD X 0.156 INCH LONG	80009	210-0659-01
-254	200-0608-00		1						COVER, VAR RES.: PLASTIC	80009	200-0608-00
-255	-----		1						RES., VAR: (SEE R1640 EPL)		
									(ATTACHING PARTS)		
-256	210-0583-00		2						NUT, PLAIN, HEX.: 0.25-32 X 0.312 INCH, BRS	73743	2X20224-402
-257	210-0223-00		1						TERMINAL, LUG: 0.25 INCH DIA, SE	86928	A313-136
									- - - * - - -		
258	-----		1						RES., VAR: (SEE R1799 EPL)		
									(ATTACHING PARTS)		
-259	210-0583-00		2						NUT, PLAIN, HEX.: 0.25-32 X 0.312 INCH, BRS	73743	2X20224-402
-260	210-0046-00		1						WASHER, LOCK: INTL, 0.26 ID X 0.40" OD, STL	78189	1214-05-00-0541C
									- - - * - - -		
-261	131-0771-00		2						CONN, RCPT, ELEC: 4 CONT, QUICK DISCONNECT	0000A	ROA-304NYL
									(ATTACHING PARTS)		
-262	220-0551-00		1						NUT, PLAIN, HEX.: 9 MM X 0.437 INCH	73743	OBD
-263	361-0428-00		1						SPACER, SLEEVE: 0.36 ID X 0.30 INCH L, AL	80009	361-0428-00
									- - - * - - -		
-264	131-0955-00		2						CONNECTOR, RCPT.: BNC, FEMALE, W/HARDWARE	13511	31-279
									(ATTACHING PARTS)		
-265	210-0590-00		1						NUT, PLAIN, HEX.: 0.375 X 0.438 INCH, STL	73743	2X28269-402
-266	210-0012-00		1						WASHER, LOCK: INTL, 0.375 ID X 0.50" OD STL	78189	1220-02-00-0541C
									- - - * - - -		

Fig. & Index No.	Tektronix Part No.	Serial/Model No. Eff	Dscont	Qty	1	2	3	4	5	Name & Description	Mfr Code	Mfr Part Number
2-267	131-0955-00			2						CONNECTOR, RCPT, :BNC, FEMALE, W/HARDWARE (ATTACHING PARTS)	13511	31-279
-268	210-0590-00			1						NUT, PLAIN, HEX.:0.375 X 0.438 INCH, STL	73743	2X28269-402
-269	210-0255-00			1						TERMINAL, LUG:0.391" ID INT TOOTH	80009	210-0255-00
-270	-----			1						RES., VAR:(SEE R1790 EPL) (ATTACHING PARTS)		
-271	358-0251-00			1						INSERT, SCR THD:0.25-32 X 0.424 INCH LONG	80009	358-0251-00
-272	210-0046-00			1						WASHER, LOCK:INTL, 0.26 ID X 0.40" OD, STL	78189	1214-05-00-0541C
-273	210-0583-00			1						NUT, PLAIN, HEX.:0.25-32 X 0.312 INCH, BRS	73743	2X20224-402
-274	407-0971-00			1						BRACKET, CONN:REAR PANEL (ATTACHING PARTS)	80009	407-0971-00
-275	211-0105-00			2						SCREW, MACHINE:4-40 X 0.188"100 DEG, FLH STL	83385	OBD
-276	366-1398-00			2						KNOB:ASTIG AND FOCUS	80009	366-1398-00
	213-0239-00			1						. SETSCREW:3-48 X 0.062 INCH, HEX SOC STL	71159	OBD
	380-0258-00	B010100	B079999	1						HSG, AIR FILTER:	80009	380-0258-00
-277	380-0258-02	B080000		1						HSG, AIR FILTER: (ATTACHING PARTS)	80009	380-0258-02
-278	210-0586-00			4						NUT, PLAIN, EXT W:4-40 X 0.25 INCH, STL	78189	211-041800-00
-279	378-0036-01			1						FIL ELEM AIR CO:2.25 X 3.063 INCH LG, FOAM	80009	378-0036-01
-280	378-0797-01			1						SCREEN, FAN:	80009	378-0797-01
	_10-0202-00	XB166650		1						TERMINAL, LUG:0.146 ID, LOCKING, BRZ TINNED (ATTACHING PARTS)	78189	2104-06-00-2520N
	210-0457-00	XB166650		1						NUT, PLAIN, EXT W:6-32 X 0.312 INCH, STL	83385	OBD
-281	386-2052-00	B010100	B166649	1						PANEL, REAR:	80009	386-2052-00
	386-2051-01	B166650		1						PANEL, REAR: (ATTACHING PARTS)	80009	386-2051-01
-282	211-0007-00			3						SCREW, MACHINE:4-40 X 0.188 INCH, PNH STL	83385	OBD
-283	211-0105-00			10						SCREW, MACHINE:4-40 X 0.188"100 DEG, FLH STL	83385	OBD
	198-2566-00			1						WIRE SET, ELEC:REAR COMB ASSEMBLY	80009	198-2566-00
	131-1119-00			2						. CONTACT, ELEC:FOR NO. 22-26 AWG WIRE	22526	75374-001
	131-0861-00			1						. TERM, QIK DISC:16-20 AWG, 0.22 W X 0.02 THK	00779	42617-2
	175-1050-00			FT						. CABLE, SP, ELEC:2-COND, W/GRAYJACKET, 120.0"L	80009	175-1050-00
	175-1296-00			FT						. CABLE, SP, ELEC:	80009	175-1296-00
	200-1075-00			2						. COVER, ELEC CONN:PLASTIC	00779	1-480435-0
	352-0171-00			3						. HLDR, TERM CONN:1 WIRE BLACK	80009	352-0171-00
	352-0197-00			1						. CONN BODY, PL, EL:1 WIRE BLACK	80009	352-0197-00
-284	337-1880-00	XB030000		1						SHIELD, ELEC:OSCILLATION (ATTACHING PARTS)	80009	337-1880-00
-285	211-0101-00	XB030000		8						SCREW, MACHINE:4-40 X 0.25" 100 DEG, FLH STL	83385	OBD
-286	200-1269-00			1						COVER, OSCP:REAR PANEL	80009	200-1269-00
-287	348-0298-00			2						FOOT, CABINET:	80009	348-0298-00
-288	348-0299-00			4						PAD, CAB FOOT: (ATTACHING PARTS)	80009	348-0299-00
-289	211-0631-00			1						SCREW, MACHINE:6-32 X 2 INCH, FLH STL	83385	OBD
-290	166-0424-00			1						SPACER, SLEEVE:0.18 ID X 0.25 OD X 0.171"	80009	166-0424-00
	119-0346-00			1						FIL, LINE ASSY:	80009	119-0346-00
-291	-----			1						. CKT BOARD ASSY:LINE FILTER(SEE A16 EPL)		
-292	343-0088-00			1						. . CLAMP, LOOP:0.062 INCH DIA	80009	343-0088-00
-293	346-0032-00			3						. . STRAP, RETAINING:0.075 DIA X 4.0 L, MLD RBR	98159	2859-75-4
	198-0689-00			1						. . WIRE SET, ELEC:FILTER RFI	80009	198-0689-00
	198-2873-00			1						. . WIRE SET, ELEC:LINE FILTER BOARD	80009	198-2873-00
-294	131-0861-00			2						. . . TERM, QIK DISC:16-20 AWG, 0.22 W X 0.02 THK	00779	42617-2
-295	200-1075-00			2						. . . COVER, ELEC CONN:PLASTIC (ATTACHING PARTS)	00779	1-480435-0
-296	211-0007-00	B010100	B059999	3						. SCREW, MACHINE:4-40 X 0.188 INCH, PNH STL	83385	OBD
	129-0285-00	B060000		3						. POST, ELEC-MECH:0.281 L X 0.188 HEX BRS	80009	129-0285-00
	210-0004-00	B060000		3						. WASHER, LOCK:#4 INTL, 0.015THK, STL CD PL	78189	1204-00-00-0541C
	210-0801-00	B060000		3						. WASHER, FLAT:0.14 ID X 0.281 OD NP STL	12327	OBD

Replaceable Mechanical Parts—485

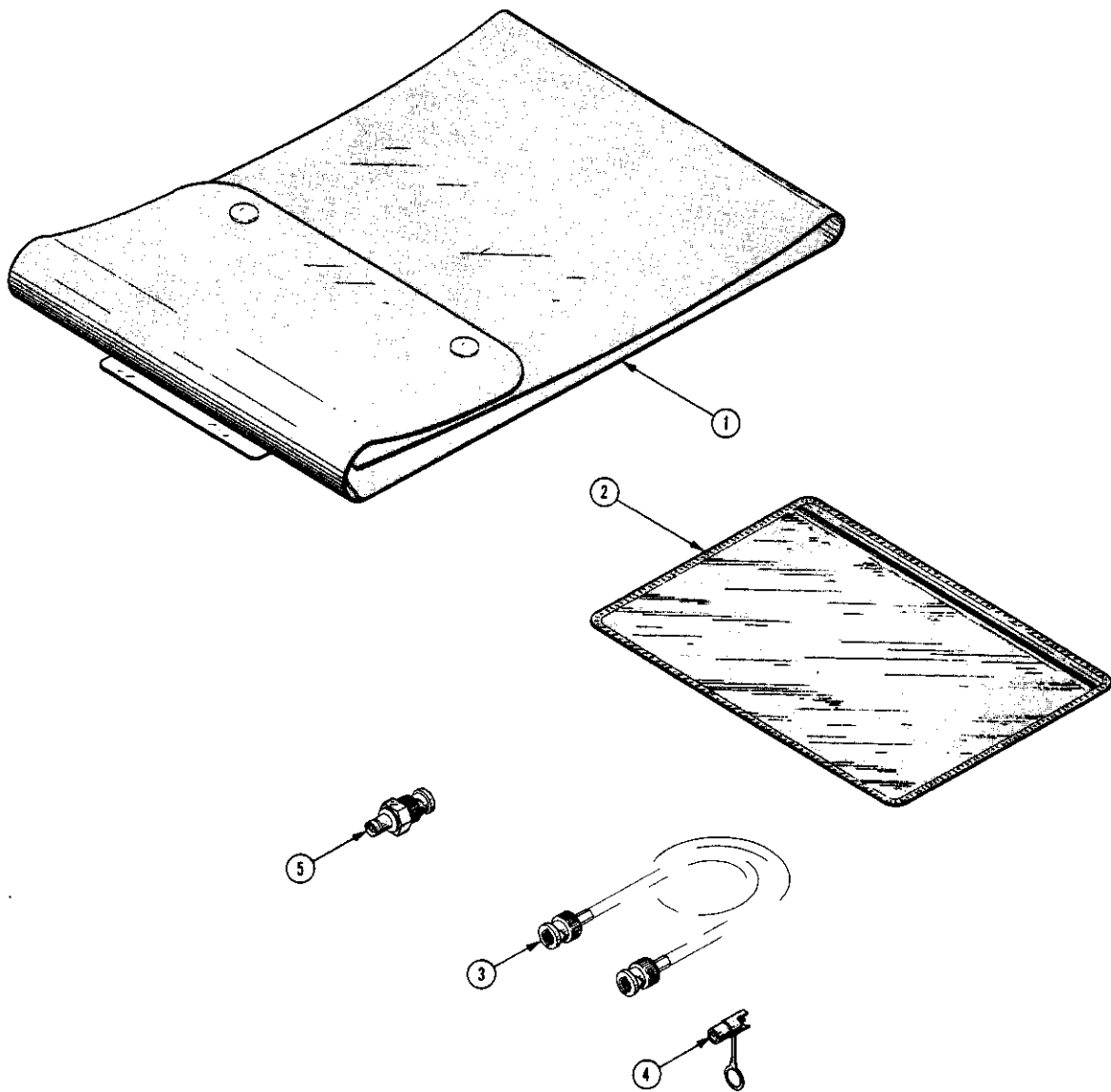
Fig. & Index No.	Tektronix Part No.	Serial/Model No. Eff	Dscont	Qty	1 2 3 4 5	Name & Description	Mfr Code	Mfr Part Number
2-297	161-0049-00			1	.	CABLE ASSY,PWR,:80 INCH LONG,W/MALE CONN	80009	161-0049-00
-298	358-0161-00			1	.	BSHG,STRAIN RLF:FOR 0.50 INCH HOLE,PLASTIC	28520	SR5P4
-299	386-2053-00			1	.	PLATE,MOUNTING:POWER CORD (ATTACHING PARTS)	80009	386-2053-00
-300	211-0007-00			2	.	SCREW,MACHINE:4-40 X 0.188 INCH,PNH STL - - - * - - -	83385	OBD
-301	204-0374-01			1	.	BODY,FUSEHOLDER:	80009	204-0374-01
-302	407-1046-00			1	.	BRKT,FUSE HLDR:	80009	407-1046-00
-303	129-0285-00	B010100	B010499	3	.	POST,ELEC-MECH:0.281 L X 0.188 HEX BRS (ATTACHING PARTS)	80009	129-0285-00
-304	211-0105-00	B010100	B010499	1	.	SCREW,MACHINE:4-40 X 0.188"100 DEG,FLH STL	83385	OBD
-305	210-0004-00	B010100	B010499	1	.	WASHER,LOCK:#4 INTL,0.015THK,STL CD PL	78189	1204-00-00-0541C
	210-0006-00	B010100	B010499	1	.	WASHER,LOCK:#6 INTL,0.018THK,STL CD PL - - - * - - -	78189	1206-00-00-0541C
	166-0026-00	B010500		3	.	SPACER,SLEEVE:0.125 ID X 0.188 OD X 0.375"	71590	P7610-1
-306	210-0201-00	B010100	B166649X	1	.	TERMINAL,LUG:SE #4 (ATTACHING PARTS)	86928	A373-157-2
-307	211-0007-00			1	.	SCREW,MACHINE:4-40 X 0.188 INCH,PNH STL	83385	OBD
-308	210-0406-00			1	.	NUT,PLAIN,HEX.:4-40 X 0.188 INCH,BRS - - - * - - -	73743	2X12161-402
-309	380-0252-00			1	.	HSG,LINE FILTER: (ATTACHING PARTS)	80009	380-0252-00
-310	211-0007-00			5	.	SCREW,MACHINE:4-40 X 0.188 INCH,PNH STL - - - * - - -	83385	OBD
-311	352-0326-00			1	.	FUSEHOLDER:PLASTIC	80009	352-0326-00

Fig. & Index No.	Tektronix Part No.	Serial/Model No. Eff	Dscont	Qty	1 2 3 4 5	Name & Description	Mfr Code	Mfr Part Number
3-1	200-1251-00			1		COVER,OSCP:FRONT	80009	200-1251-00
-2	200-0602-00			2		COVER,HDL LATCH:2.12 DIA X 0.7,ACETAL	80009	200-0602-00
-3	367-0153-00	B010100	B142694	1		HANDLE,CARRYING:	80009	367-0153-00
	367-0193-00	B142695		1		HANDLE,CARRYING:	80009	367-0193-00
						(ATTACHING PARTS)		
-4	211-0512-00	B010100	B142694	4		SCREW,MACHINE:6-32 X 0.50" 100 DEG,FLH STL	83385	OBD
	213-0227-00	B142695		4		SCR,TPG,THD FOR:6-32 X 0.50 DEG,FLH ST	83385	OBD
-5	214-0516-00			2		SPRING,HLCPS:0.959 DIA X 1.250 INCH LONG	80009	214-0516-00
-6	213-0139-00			2		SCR,CAP,HEX HD:10-24 X 0.375 INCH LONG	000CY	OBD
-7	210-0805-00			2		WASHER,FLAT:0.204 ID X 0.438 INCH OD,STL	12327	OBD
-8	214-0513-00	B010100	B081609	2		HUB,HDL INDEX:	80009	214-0513-00
	214-0513-04	B081610	B142694	2		INDEX,HDL RING:2.0 DIA X 0.585 THK AL,CD	80009	214-0513-04
	214-1987-00	B142695		2		INDEX,HDL RING:	80009	214-1987-00
-9	214-0515-00	B010100	B081609	2		GEAR,HDL INDEX:	80009	214-0515-00
	214-0515-02	B081610		2		HUB,HDL INDEX:1.42 DIA X 0.565 THK,AL CD	80009	214-0515-02
						- - - * - - -		
-10	348-0235-00			4		SHLD GSKT,ELEC:4.734 INCH LONG	80009	348-0235-00
-11	348-0304-00			4		SHLD,GSKT,ELEC:3.018 INCH LONG	80009	348-0304-00
-12	390-0224-00			1		CABINET,OSCP:WRAPAROUND	80009	390-0224-00
-13	348-0080-00			4		. FOOT,CABINET:0.700 DIA X 0.500" LG,PLASTIC	80009	348-0080-00
-14	334-1934-00			1		PLATE,IDENT:	80009	334-1934-00
	016-0558-00			1		ADPTR,RACK MTG:KIT	80009	016-0558-00
-15	367-0022-00			2		. HANDLE,BOW:1.5 X 4.5 INCH	06540	10353-B-1032-25A
						(ATTACHING PARTS)		
-16	213-0090-00			2		. SCREW,MACHINE:10-32 X 0.50 INCH,HEX	83385	OBD
						- - - * - - -		
-17	361-0528-00			2		. SPACER,BAR:RACK MOUNTING	80009	361-0528-00
						(ATTACHING PARTS)		
-18	211-0517-00			2		. SCREW,MACHINE:6-32 X 1 INCH,PNH,STL	83385	OBD
-19	210-0870-00			2		. WASHER,FLAT:0.14 ID X 0.312 INCH OD STL	12327	OBD
						- - - * - - -		
-20	210-0808-00			2		. EYELET,METALLIC:CENTERING	63743	25151.13-3
						(ATTACHING PARTS)		
-21	211-0507-00			1		. SCREW,MACHINE:6-32 X 0.312 INCH,PNH STL	83385	OBD
-22	210-0457-00			1		. NUT,PLAIN,EXT W:6-32 X 0.312 INCH,STL	83385	OBD
						- - - * - - -		
-23	348-0235-00			4		. SHLD GSKT,ELEC:4.734 INCH LONG	80009	348-0235-00
-24	348-0304-00			4		. SHLD GSKT,ELEC:3.018 INCH LONG	80009	348-0304-00
-25	351-0104-00			1		. SLIDE SECT.,DWR:PAIR	06666	C-720-2
-26	351-0101-00			1		. SLIDE,DWR,EXT:PAIR	80009	351-0101-00
-27	437-0151-00			1		. CABINET,OSCP:	80009	437-0151-00
	016-0099-00			1		. HDW KIT,ELEK EQ:RACKMOUNT HDW	80009	016-0099-00



RACKMOUNT CABINET

BENCH CABINET



ACCESSORIES

Fig. & Index No.	Tektronix Part No.	Serial/Model No. Eff	Dscnt	Qty						Name & Description	Mfr Code	Mfr Part Number
					1	2	3	4	5			
4-1	016-0535-00			1						POUCH, ACCESSORY: W/HARDWARE	80009	016-0535-00
-2	016-0537-00			1						POUCH, ACCESSORY: VINYLE, W/ZIPPER	05006	OBD
-3	012-0076-00			1						CABLE ASSY, RF: 50 OHM COAX, W/BNC EA END, 20" L	80009	012-0076-00
-4	012-0092-00			2						ADAPTER, CONN:	80009	012-0092-00
-5	011-0049-01			2						NTWK, IMPD MATC: 50 OHM FEEDTHRU	80009	011-0049-01
	070-1194-00			1						MANUAL, TECH: OPERATORS	80009	070-1194-00
	070-1193-00			1						MANUAL, TECH: INSTRUCTION	80009	070-1193-00
	386-0118-00			1						SHIELD, IMPLOSION:	80009	386-0118-00
	159-0015-00			4						FUSE, CARTRIDGE: 3AG, 3A, 250V, FAST BLOW	71400	AGC 3